

**Model No. 40781 + VC-AC/DC
Supply**

12 Volt AC/DC Power

Specification

Input	230V AC 50Hz
Output	12V AC – 1.6A

Connections

Input via 2 screw terminals	Terminals 2 & 3
Output via 2 screw terminals	Terminals 4 & 5
Power Consumption	20VA

Overall dimensions

Length	100mm
Width	52mm
Height	70mm

DIN rail mounting

NOTES

DO NOT SHORT OUTPUT WHEN POWERED-UP, AS THIS CAN CAUSE IRREPARABLE DAMAGE TO THE PSU.

Safety: - CE approved, EN61558

Supplied plastic cover protects AC input terminals – not shown in picture below

Made in the Italy

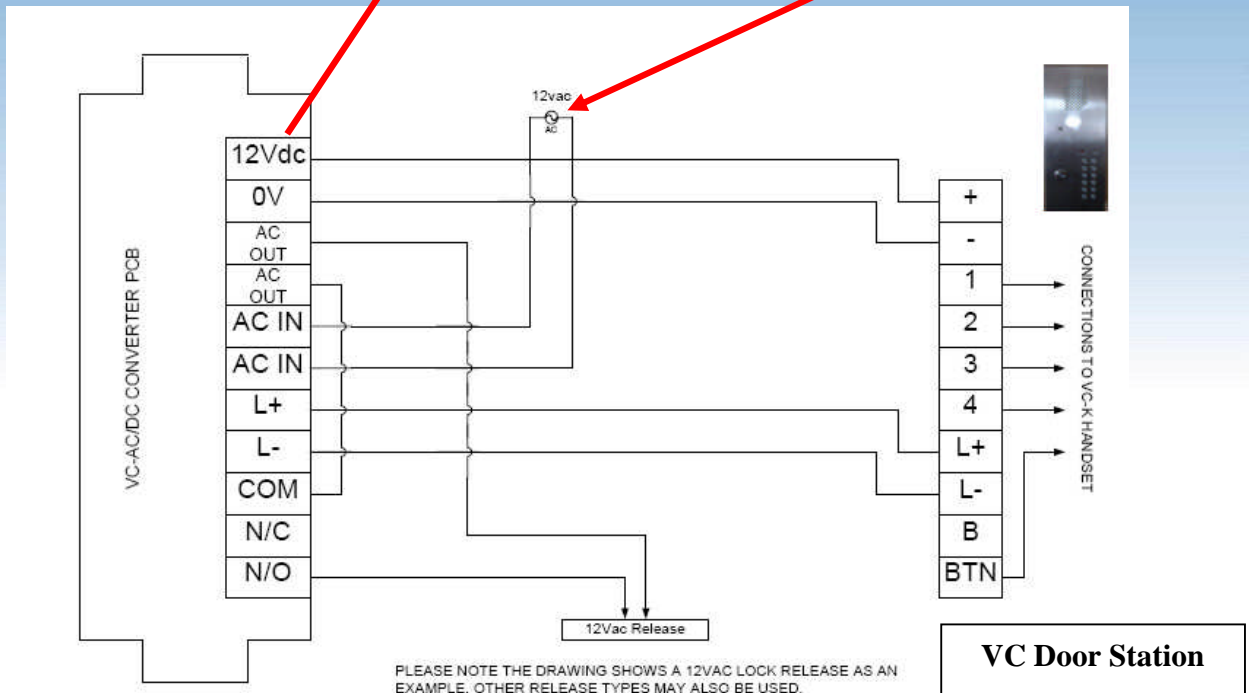


40781 PSU

VC-AC/DC



40781 PSU



Relay:

Choice of normally open or normally closed relay contacts, volt free, A/C or D/C output

Rating: 12 volt - 2 amps, A/C - 0.5 amp

Dimensions:

W=120mm x H=40mm x D=65mm