

# B&W Video Accessories

## Dual-call door station



**MK-2DA**  
Two-call video door station

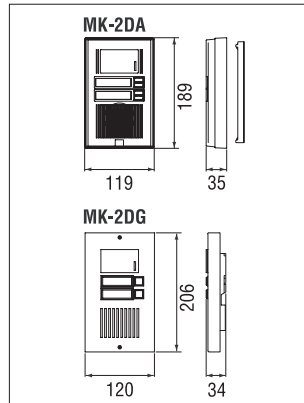


**MK-2DG**  
Two-call video door station  
**MK-2DG PANEL**  
Panel only

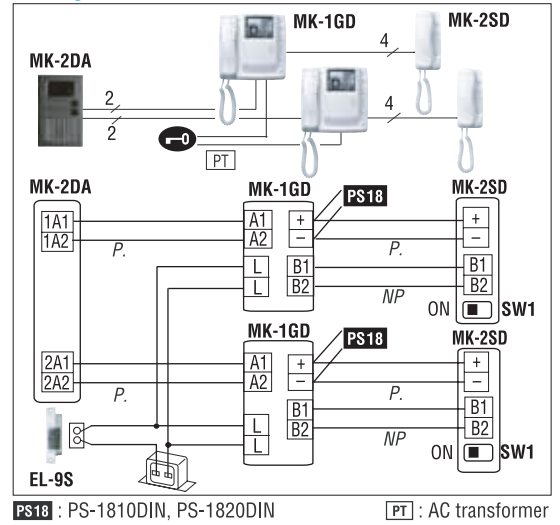
### Features

- Call two monitors (MK-1GD) selectively.
- Each monitor is powered by a separate power supply.
- Wide-angle view
- Camera angle adjuster (16° upward)
- Backlit call buttons
- Acrylic nameplates for engraving
- While one monitor is in use, the other monitor is not operational.

### Unit dimensions



### Wiring



### Specifications

Power source	Supplied by monitor in use
Camera	CCD camera w/infrared LED's
Scanning lines	525 lines
Minimum illumination	1 Lux at 50cm from camera
Image view area	70cm Vert. x 110cm Horiz. at 50cm
Wiring	2 parallel wires, polarized
Wiring distance	Door to monitor 50m(0.65mmø) 100m(1.0mmø)

## Picture memory unit



**KC-32EU**  
Picture memory unit

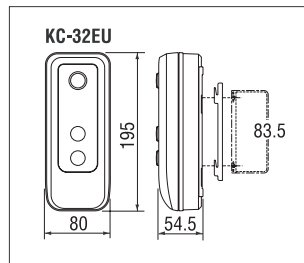
### Features

- Easy add-on to present or new system, color or black & white
- 4 pictures in 1 frame (16 frames), 16, 32 or 60 individual picture save mode
- Max. 8 pictures stored in memory

### Used for

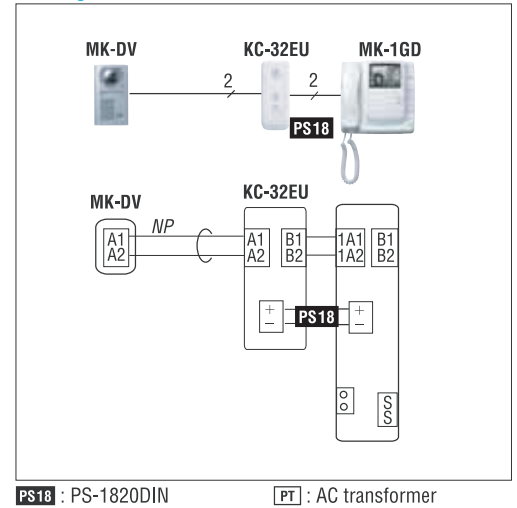
KC-1MRD, KC-1GRD, KB-3MRD  
MK-1GD, MK-2MCD

### Unit dimensions



Single-gang mounting

### Wiring



PS18 : PS-1820DIN

PT : AC transformer

### Specifications (KC-32EU)

Power source	18V DC, 230mA. 24V DC, 160mA.
Power supply	PS-1820DIN, PS-2420DIN, PS-2420S
Channel	One video door per unit
Wiring	2 parallel wires to door (NP). 2 wires to Master (Polarized).
Wiring distance	KC-32EU to door 50m(0.65mmø) 100m(1.0mmø) KC-32EU to master 25m(0.65mmø) 5m(1.0mmø) KC-32EU to Power supply 10m(1.0mmø) (20m w/1.2mmø)