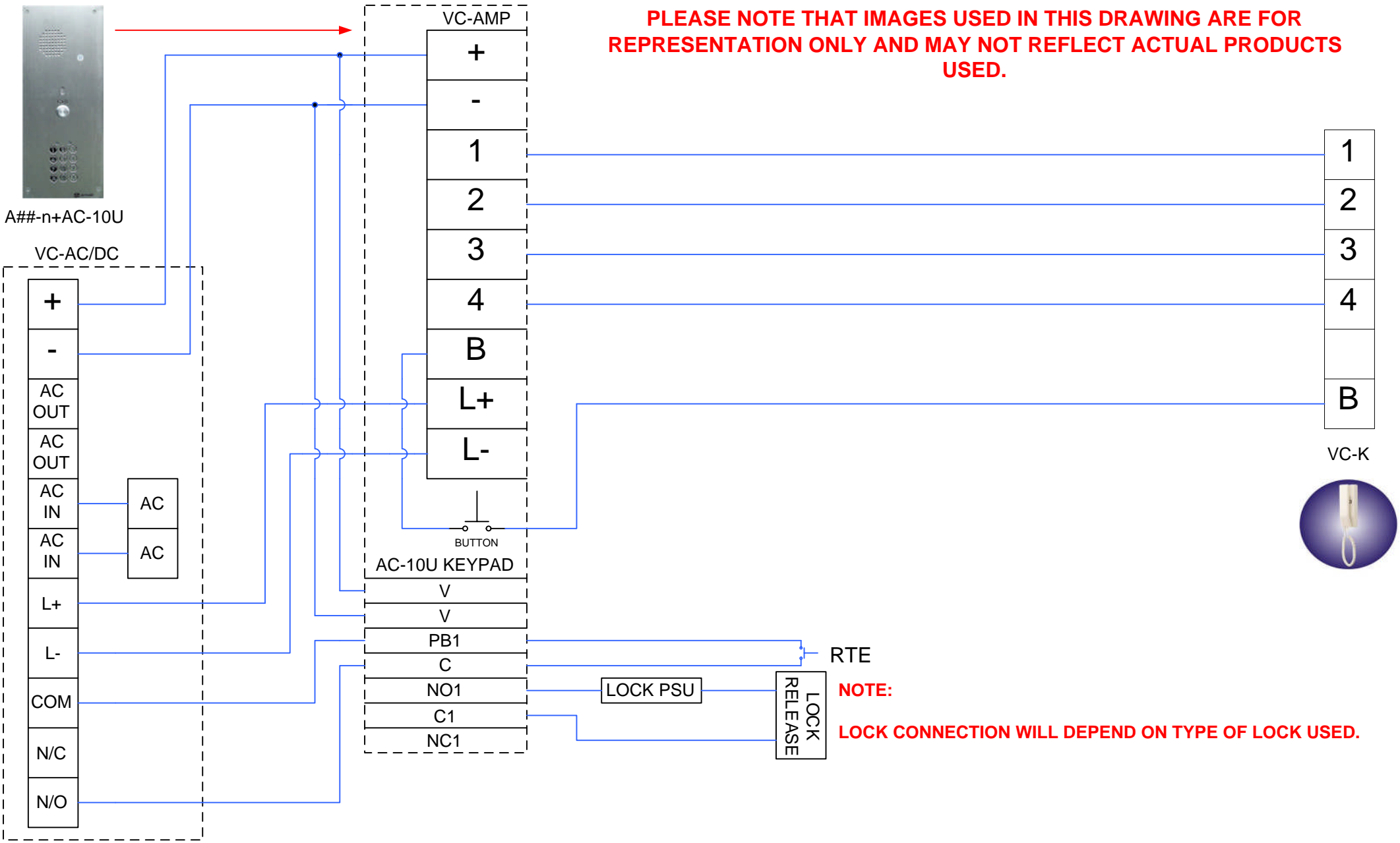



PLEASE NOTE THAT IMAGES USED IN THIS DRAWING ARE FOR REPRESENTATION ONLY AND MAY NOT REFLECT ACTUAL PRODUCTS USED.



NOTE:
LOCK CONNECTION WILL DEPEND ON TYPE OF LOCK USED.

 **BC TECHNOLOGY LTD**
 BCTEC HOUSE
 WALLIS CLOSE
 PARK FARM IND EST
 WELLINGBOROUGH
 NN8 6AG
 TEL: 01933 405050
 FAX: 01933 405454

TITLE:  A#-n+AC-10U Wiring Diagram.		CUSTOMER REF: Aiphone Keypad with VC series	DRAWING REF: Aiphone AC-10U with A#-n
DATE: 27/03/09	CABLE TYPE: Alarm Cable	MAXIMUM DISTANCE: 150M Using Alarm Type Cable	PG: 1 OF 1
DRAWN BY: Sales Support	DESCRIPTION: Wiring diagram for a VC series panel & an AC-10U keypad.		