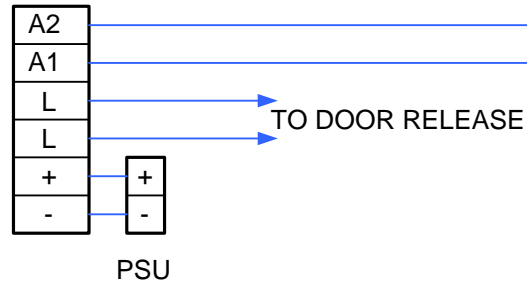


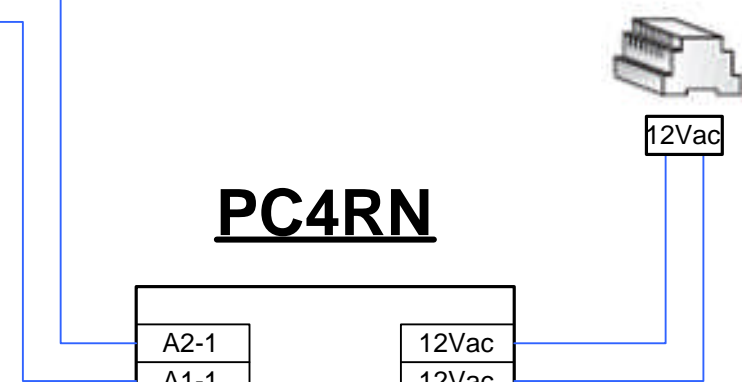


MK-1GD
MK-2MCD
JA-2MCD
JB-2MD
KC-1GRD
KB-3MRD
JF-2MED

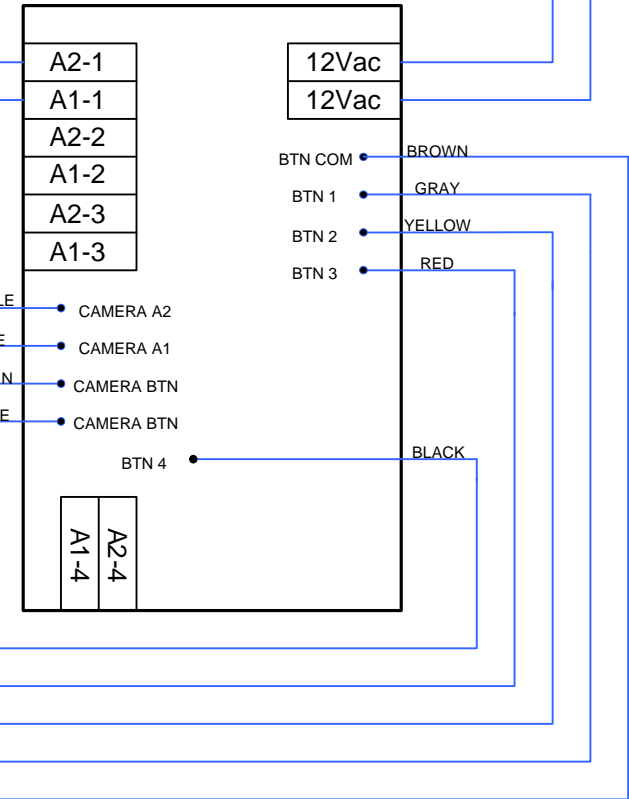


The diagram shows only 1 monitor which will chime when button one is pressed on the door station. Buttons 2 - 4 will trigger monitors wired to the remaining 3 outputs (A1 / A2 2 - 4).

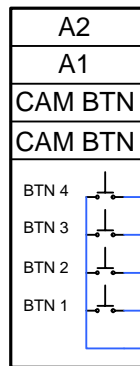
IMPORTANT NOTE: CAMERAS WILL ONLY WORK WITH COMPATIBLE MONITOR OF THE SAME SERIES EG KC CAMERA WITH KC MONITOR.





PC4RN

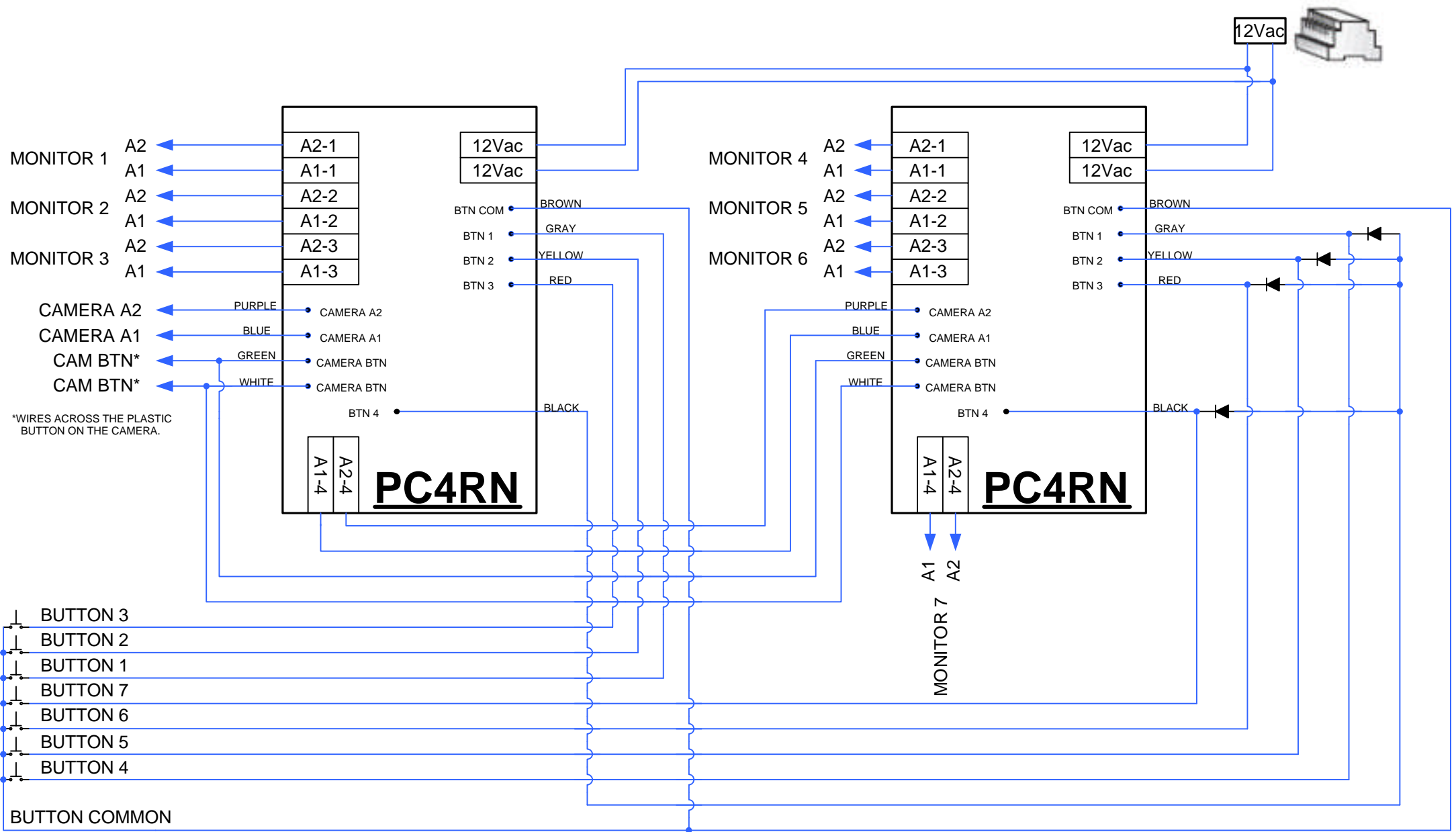


MK-DH
MK-DAC
KC-DAR
KB-DAR
JA-DAC
JB-DA
JF-DA




All cameras will be mounted into a stainless steel housing with 1 - 4 buttons.

 <p>BC TECHNOLOGY LTD BCTEC HOUSE WALLIS CLOSE PARK FARM IND EST WELLINGBOROUGH NN8 6AG TEL: 01933 405050 FAX: 01933 405454</p>	TITLE:  PC4RN DIAGRAM		CUSTOMER REF: PC4RN	DRAWING REF: AIPHONE PC4RN CONNECTIONS.
	DATE: 22/12/06	CABLE TYPE: A1/A2 & CAM BTNS = PE CABLE BUTTONS = ALARM	MAXIMUM DISTANCE: AS PER THE SYSTEM SPECIFICATION FROM AIPHONE	PG: 1 OF 2
	DRAWN BY: Sales Support	DESCRIPTION: WIRING DIAGRAM SHOWING THE CONNECTION OF AIPHONE PC4RN WITH A MAXIMUM OF 4 CALL BUTTONS.		




BC TECHNOLOGY LTD
 BC TEC HOUSE
 WALLIS CLOSE
 PARK FARM IND EST
 WELLINGBOROUGH
 NN8 6AG
 TEL: 01933 405050
 FAX: 01933 405454
technically secure

TITLE:  AIPHONE PC4RN CASCADED		CUSTOMER REF: PC4RN CASCADED		DRAWING REF: CASCADED PC4RN CONNECTIONS.	
DATE: 22/12/06	CABLE TYPE: A1/A2 & CAM BTNS = PE CABLE BUTTONS = ALARM	MAXIMUM DISTANCE: AS PER THE SYSTEM SPECIFICATION FROM AIPHONE		PG: 2 OF 2	
DRAWN BY: Sales Support		DESCRIPTION: WIRING DIAGRAM SHOWING THE CONNECTION OF AIPHONE PC4RN WITH A MAXIMUM OF 7 CALL BUTTONS.			