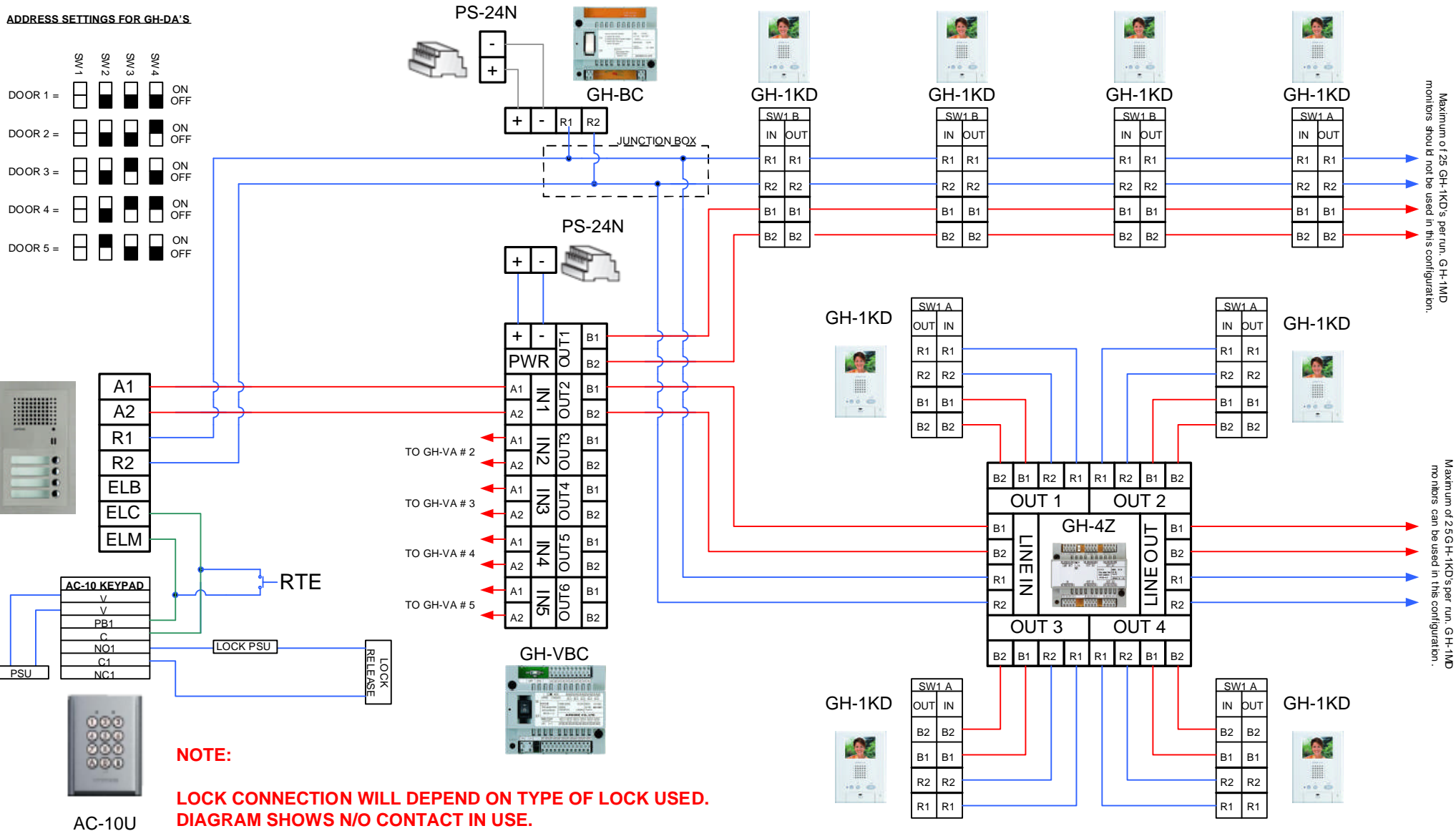


ADDRESS SETTINGS FOR GH-DA'S



| | | | | | |
|----------|--------------------------|--------------------------|--------------------------|--------------------------|-----|
| DOOR 1 = | SW 1 | SW 2 | SW 3 | SW 4 | ON |
| | <input type="checkbox"/> | <input type="checkbox"/> | <input type="checkbox"/> | <input type="checkbox"/> | OFF |
| DOOR 2 = | <input type="checkbox"/> | <input type="checkbox"/> | <input type="checkbox"/> | <input type="checkbox"/> | ON |
| | <input type="checkbox"/> | <input type="checkbox"/> | <input type="checkbox"/> | <input type="checkbox"/> | OFF |
| DOOR 3 = | <input type="checkbox"/> | <input type="checkbox"/> | <input type="checkbox"/> | <input type="checkbox"/> | ON |
| | <input type="checkbox"/> | <input type="checkbox"/> | <input type="checkbox"/> | <input type="checkbox"/> | OFF |
| DOOR 4 = | <input type="checkbox"/> | <input type="checkbox"/> | <input type="checkbox"/> | <input type="checkbox"/> | ON |
| | <input type="checkbox"/> | <input type="checkbox"/> | <input type="checkbox"/> | <input type="checkbox"/> | OFF |
| DOOR 5 = | <input type="checkbox"/> | <input type="checkbox"/> | <input type="checkbox"/> | <input type="checkbox"/> | ON |
| | <input type="checkbox"/> | <input type="checkbox"/> | <input type="checkbox"/> | <input type="checkbox"/> | OFF |



NOTE:
LOCK CONNECTION WILL DEPEND ON TYPE OF LOCK USED.
DIAGRAM SHOWS N/O CONTACT IN USE.

Maximum of 25 GH-1KD's per run. GH-1MD monitors should not be used in this configuration.

Maximum of 25 GH-1KD's per run. GH-1MD monitors can be used in this configuration.

| | | | | | | |
|---|--|---------------------------------------|---|--|---|--|
|  <p>BC TECHNOLOGY LTD BC TEC HOUSE WALLIS CLOSE PARK FARM IND EST WELLINGBOROUGH NN8 6AG TEL: 01933 405050 FAX: 01933 405454</p> | TITLE:  Generic GH Colour + AC-10U | | CUSTOMER REF: GH Colour System + Keypad Access | | DRAWING REF: Generic GH Colour + Keypad Access | |
| | DATE: 16/06/09 | CABLE TYPE: C4-PE OR 2 X CAT5E | MAXIMUM DISTANCE: Door To Control = 300M Control To Monitor = 150M | | PG: 1 OF 1 | |
| | DRAWN BY: Sales Support | | DESCRIPTION: General wiring diagram of the GH colour video entry system including AC-10U Keypad. | | | |