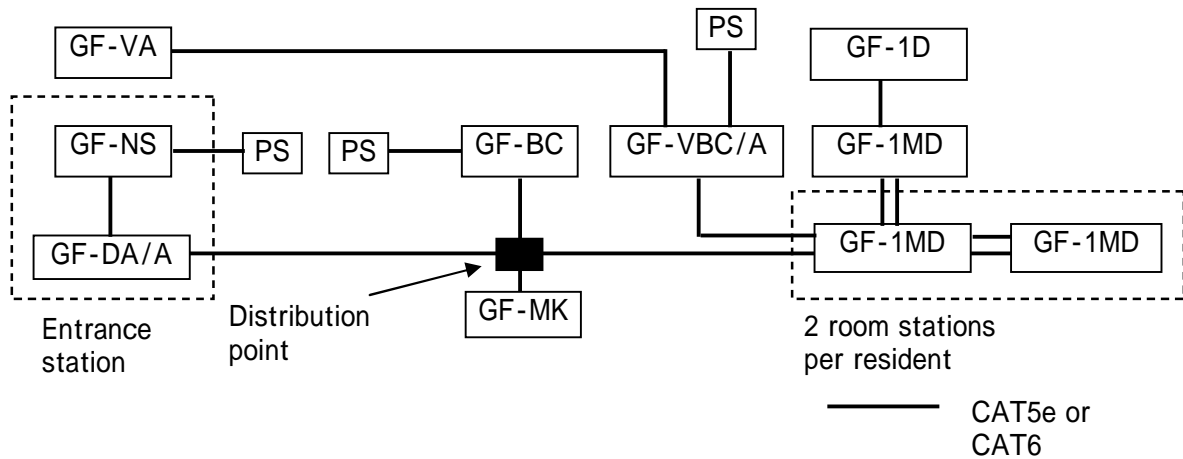


GF System

Using CAT5e cable

- SYSTEM/MODEL:** GF-system
- MODIFICATION:** Using CAT5e or CAT6 cable instead of PE cable.
- DIFFICULTY LEVEL:** 1 - Easy - Wire Connection Only
- COMPONENTS REQUIRED:** No
- APPLICATION:** Apartment
<ex.>



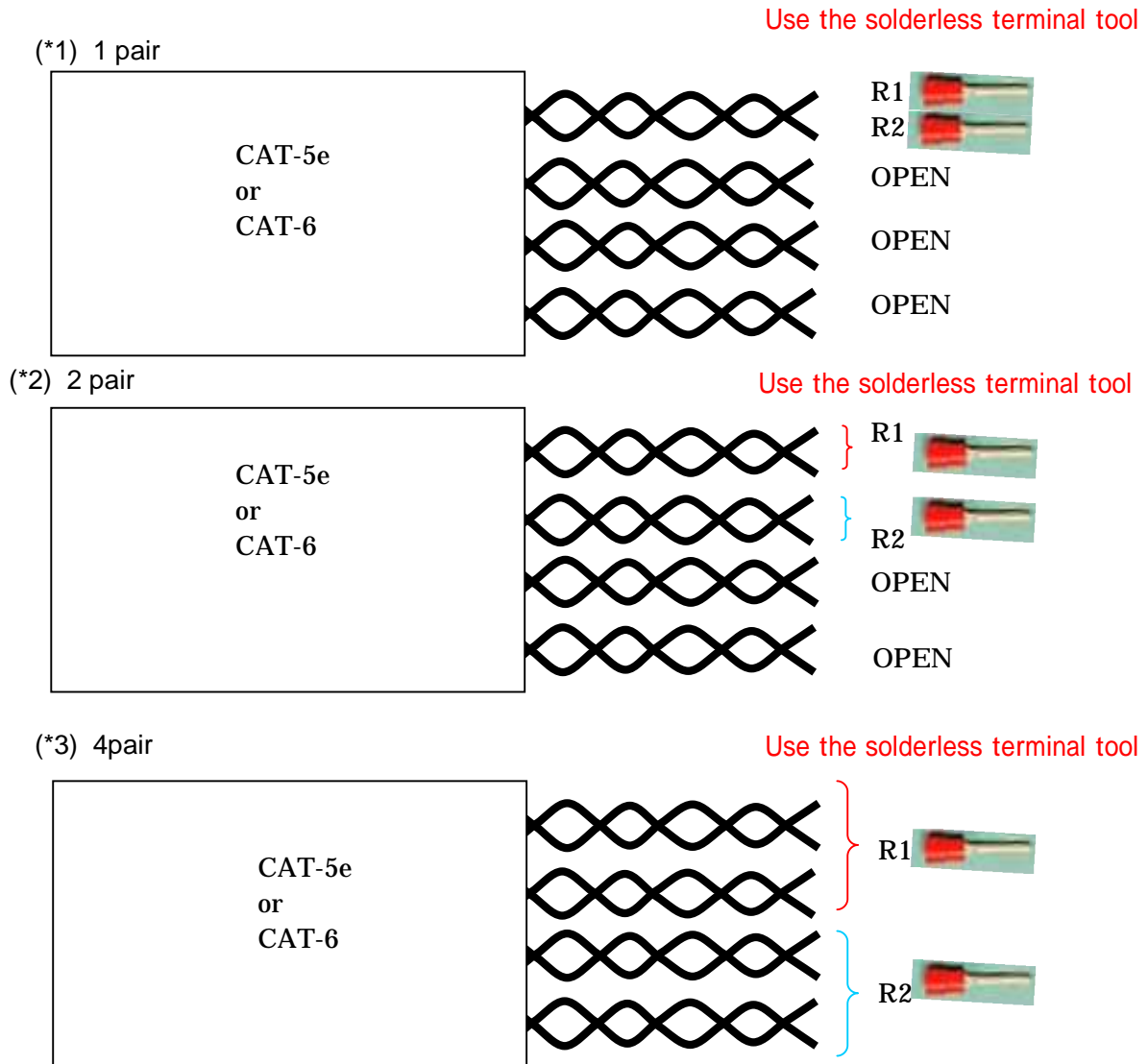
INSTR/OPERATION: System layout & installation are same as GF system. Specifications of wiring distance are fig 1.

FIG.1 Specifications of Wiring distance

	CAT5e or CAT6			PE cable
	1 pair (*)	2 pair (*2)	4 pair (*)	
GF-BC to Distribution point	1m	3m	5m	5m
Distrib. point to Entrance station	100m	200m	300m	300m
Distrib. point to GF-1D (farthest)	100m	200m	300m	300m
GF-VBC/A to farthest GF-1MD 1 per resid. Line	50m	100m	150m	150m
GF-VBC/A to farthest GF-1MD 2 per resid. Line	25m	50m	100m	100m
GF-VBC to Entrance station	25m	50m	100m	100m
GF-BC/VBC to ea. Power supply	1m	3m	5m	5m
GF-NS to Power supply	100m	200m	300m	300m
Total wiring distance (R1,R2)	800m	1.5km	2.5km	2.5km

Note: Please ensure the reliability of contact between terminal and wire, using a solderless terminal tool.
Do not include audio trunk line & video signal line in the same jacketed cable.
Do not use CAT5 cable. CAT5 has the less reliability of signal transmission

than CAT5e.



GENERAL PRECAUTIONS:

Please note that modifying a unit will not void it's warranty unless while doing the modification you damage the unit. Aiphone is not liable for any damaged caused during modification. Modifications should only be performed by a person with the skills and knowledge necessary to successfully complete the modification.

Modification levels are broken down into 5 levels, based on their difficulty.

- Level 1 - Easy - Wire Connection Only
- Level 2 - Easy/Moderate - Component Connection to External points.
- Level 3 - Moderate - Removal and replacement of internal Components.
- Level 4 - Moderate/Hard - Internal connection or component addition.
- Level 5 - Hard - Circuit Creation and Internal Addition.