








# Master / Sub Intercom



## DOOR 10 ROOM 1 TC-M & TB-ADM10

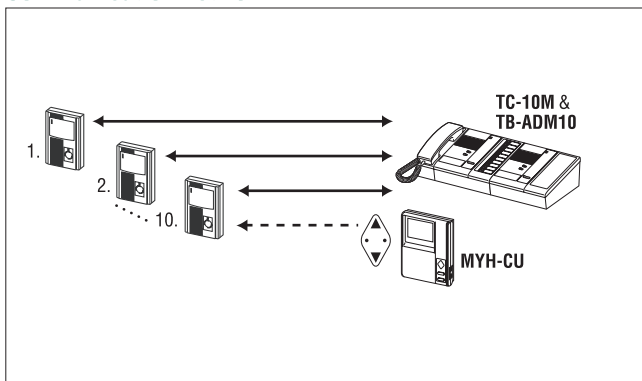
COMMERCIAL & INSTITUTIONAL APPLICATION SYSTEM

<b>Door station</b>  <b>MK-DBC</b> Video door station	<b>Master station</b>  <b>TC-10M</b> 10-call master	<b>Door adaptor</b>  <b>TB-ADM10</b> 10-call PanTilt adaptor	<b>Video monitor</b>  <b>MYH-CU</b> Video-monitor	<b>Lineup</b>  <b>MYW-BA</b> Long distance adaptor → P.25  <b>IER-2</b> Call extension → P.97  <b>TAR-3</b> External signaling relay → P.98
<b>Power supply</b> <b>PS-1820DIN</b> → P.100				

### Features

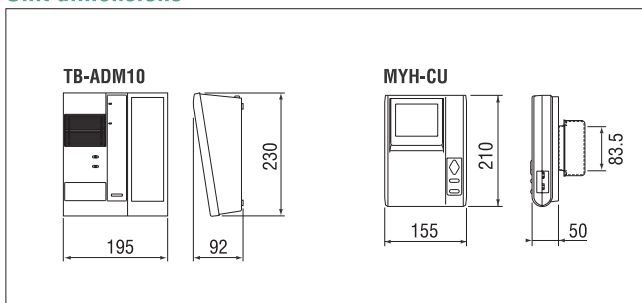
- Max. 10 PanTilt video door communication
- Optional selective door release control
- Manual or auto video monitoring

### Communication network



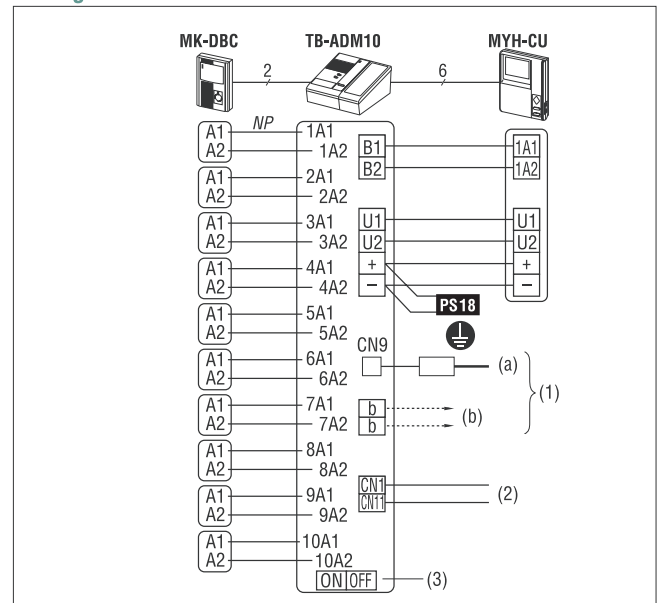
PanTilt viewing

### Unit dimensions



MYH-CU : 2-gang mounting

### Wiring



- Each TC-M & TC-G has 2 sockets for plug-in connectors from TB-ADM10 with supplied junction cables. On TC-M Pan Tilt selector # terminals must remain vacant.
- (1) Option (a) COAX OUTPUT (b) to time-lapse VCR control
- (2) Plug-in junction cables to sockets on TC-M (3) Pretone

**PS18** : PS-1820DIN

### Specifications (TB-ADM10)

Power source	18V DC, 700mA.
Power supply	PS-1820DIN
PanTilt door capacity	10(incl. IE/IF audio).
Call-in	40 sec. timed.
MYH-CU image timer	2-1/2 min. timed.
Auto-scan timer	60 min. max. w/duration 10, 20 or 30 sec. Press MONITOR 2 sec. to initiate.
Wiring	2 parallel wires to door, non-polarized
Distance	TB-ADM10 to door 50m(0.65mmø) 100m(1.0mmø) TB-ADM10 to PS 5m(0.65mmø) 10m(1.0mmø)