








# Master / Sub Intercom

## MASTER 2 SUB 100 TC-M



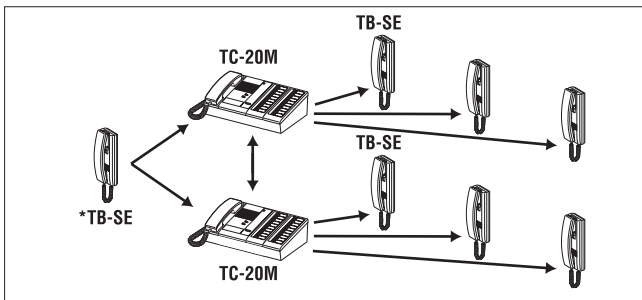
COMMERCIAL & INSTITUTIONAL APPLICATION SYSTEM

<p><b>Master station</b></p>  <p><b>TC-10M</b> 10-call master</p>  <p><b>TC-20M</b> 20-call master</p>	<p><b>Add-on selector</b></p>  <p><b>TC-20G</b> 20-call add-on selector</p>  <p><b>TC-40G</b> 40-call add-on selector <b>TC-40GS</b> W/add'l 20-/40-call expansion</p>	<p><b>Sub station</b></p>  <p><b>TB-SE</b> Sub station</p>	<p><b>Lineup</b></p>  <p><b>IER-2</b> Call extension → P.97</p>  <p><b>TAR-3</b> External signalin relay → P.98</p>
<p><b>Power supply</b> <b>PS-1820DIN</b> → P.100</p>			

### Features

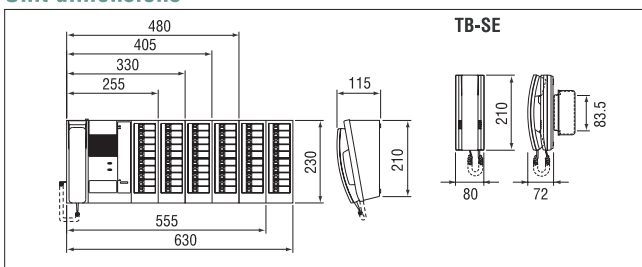
- Expandable internal telephone intercom
- One or dual master configuration
- Tone & LED call-in, staying on until answered
- Additional buzzer at TB-SE (w/relay)
- TRANSFER button on TC-M for communication between two TB-SE subs

### Communication network

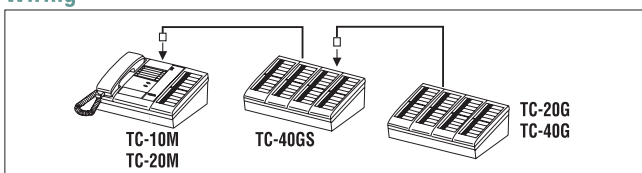


\*TB-SE : Sub station for two-master call.

### Unit dimensions

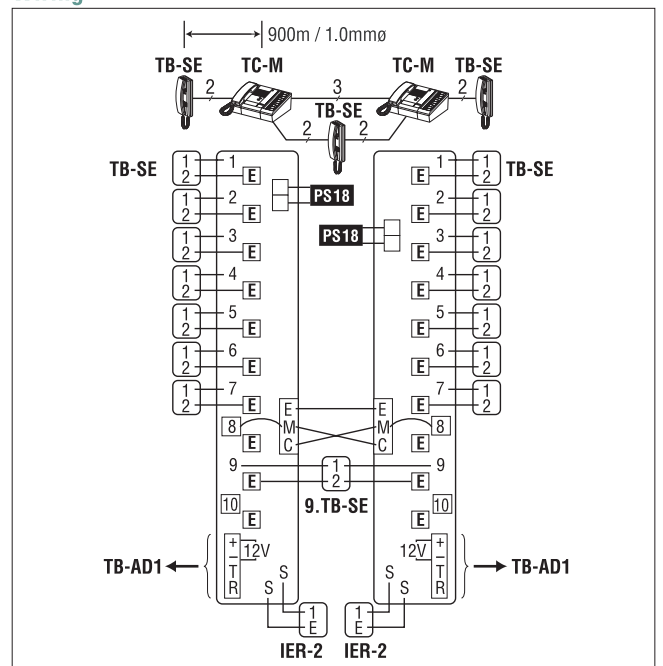


### Wiring



The TC-40GS is equipped with socket to connect the second add-on selector TC-20G or TC-40G.

### Wiring



- Run 2 parallel wires per TB-SE. Use any E terminal for max. three TB-SE's.
- Do not parallel TB-SE sub wires, or door station wires (in dual-TC-M system)

### Specifications (TC-M)

Power source	18V DC, 350mA. 15~16V AC, 50/60Hz, 750mA.
Consumption	6W. 3W standby.
Power supply	PS-1820DIN, AC transformer.
Communication	Pick up TB-SE handset. Rings TC-M, w/tremolo & L staying. At TC-M, pick up and press a lit selector to reply.
Wiring	2 parallel wires per TB-SE, non-polarized.
Distance	TC-M's 200m(0.65mmø) 480m(1.0mmø) TC-M~TB-SE 400m(0.65mmø) 900m(1.0mmø)