

Mid-Power Intercom



MASTER

SUB

1

3

MP-S

COMMERCIAL & INSTITUTIONAL APPLICATION SYSTEM

Master station



MP-1S
1-call master

MP-3S
3-call master

Call button



NP-B
Flush call plate

Power supply

PS-1215DIN

→ P.100

Sub station



AS-3N
Sub station



AS-3A
Sub station

Lineup



NBZ-M
Flush square frame



N-EA
Surface round frame

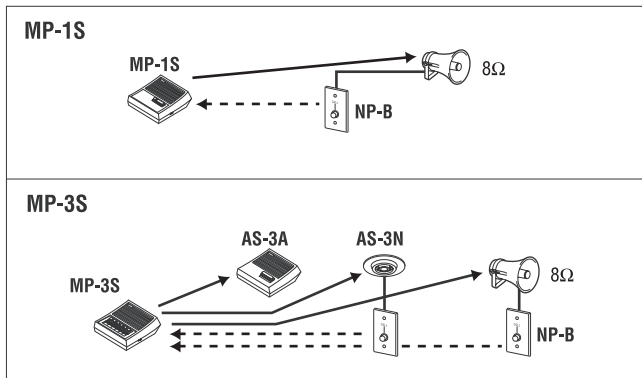
NP-W
Surface mount box for NP-B

8Ω horn speaker locally available

Features

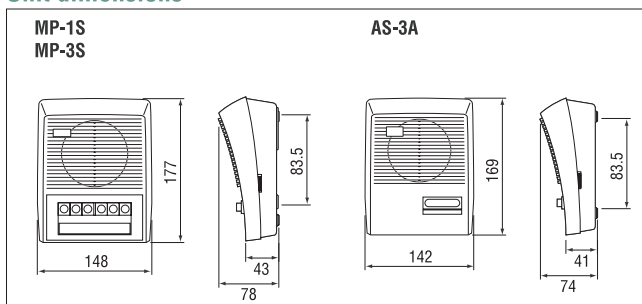
- 1 or 3-call mid-power intercom, 2.5W powered
- Incorporates subs either in console, ceiling mount or 8Ω horn for maximum output
- Handsfree reply from sub

Communication network

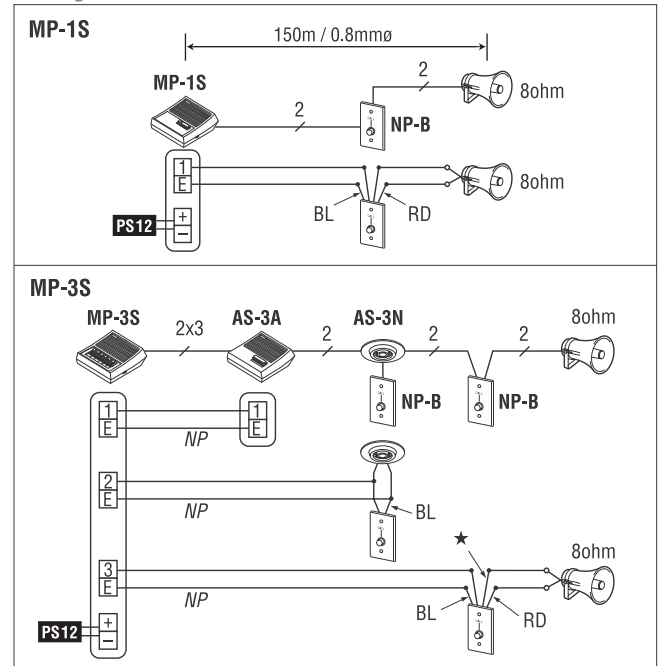


8Ω Horn w/talkback reply

Unit dimensions



Wiring



- For 8Ω horn without NP-B, install a 33MFD, 25V NP capacitor on No. line.
- BL : Blue(2) RD : Red(2) ★NP-25V Capacitor PS12 : PS-1215DIN

Specifications (MP-S)

Power source	12V DC, 1A.
Power supply	PS-1215DIN
Communication	Sub calls in w/tone (& LED 20 sec. on MP-3S). Press sub selector and TALK to transmit, and release to listen.
Output	2.5W at 1KHz.
Output impedance	8Ω
Wiring	2 parallel wires per sub, non-polarized. *Do not make E wires common.
Distance	MP-S to sub 100m(0.65mmø) 150m(0.8mmø)