




Open Voice Intercom



DOOR **1** ROOM **1** **LEM-1DL**

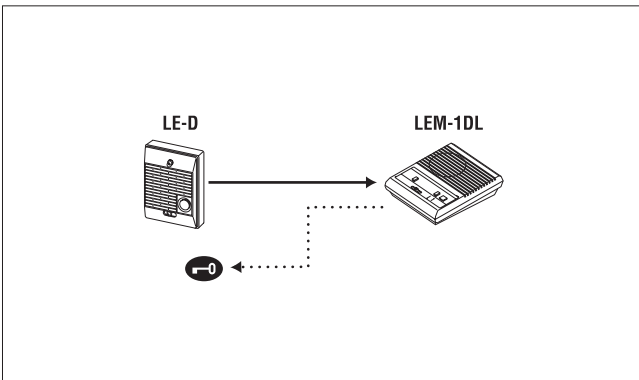
COMMERCIAL & INSTITUTIONAL APPLICATION SYSTEM

<p>Door station</p>  <p>LE-D Sub station → P.68</p>  <p>EL-9S Electric door strike → P.97</p>	<p>Master station</p>  <p>LEM-1DL Master station</p> <p>Power supply PS-1215DIN → P.100</p>
------------------------------------------------------------------------------------------------------------------------------------------------------------------------------------------------------------------------------------------------------------------------------------------------------	-------------------------------------------------------------------------------------------------------------------------------------------------------------------------------------------------------------------

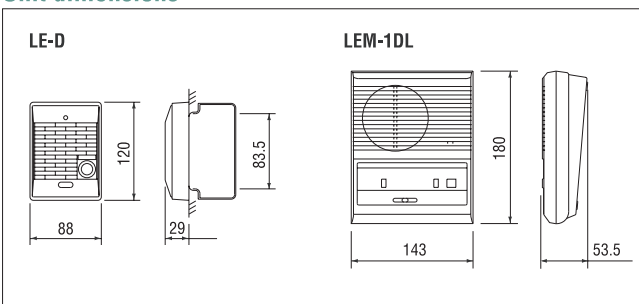
Features

- Single door open voice access control system
- Adjustable transmit (front) and tone volumes
- AC/DC power supply

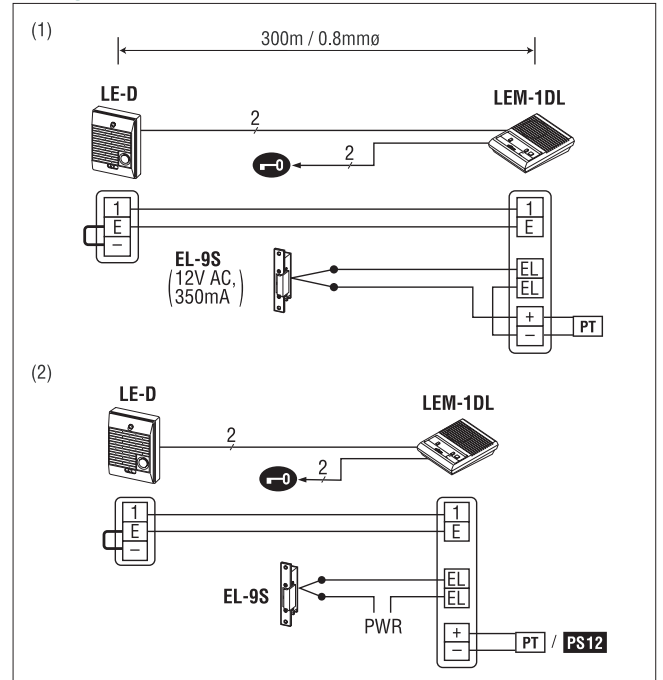
Communication network



Unit dimensions



Wiring



- (1) Using EL-9S door release
 (2) Using door release of other manufacture rated : 30V AC/DC, 1A max.
 Do not remove shorting link on LE-D. PWR : Power source

Specifications (LEM-1DL)

Power source	12~16V AC, 4VA. 12~24V DC, 200mA (24V).
Power supply	AC transformer, PS-1215DIN
Communication	When called by tone, press TALK to reply. Press door release button to release door, and press OFF for standby.
Wiring	2 wires, non-polarized (+2 for EL-9S)
Distance	LEM-1DL to door 200m(0.65mmø) 300m(0.8mmø)