

# Open Voice Intercom



DOOR

3

ROOM

8

# LEF-C

COMMERCIAL & INSTITUTIONAL APPLICATION SYSTEM

Door station



**LE-D**  
Sub station  
→ P.68

Master station



**LEF-3C**  
3-call master



**LEF-5C**  
5-call master



**LEF-10C**  
10-call master

Sub station



**LE-B**  
Sub station  
→ P.68

**LE-BN**  
Privacy sub  
→ P.68

**LE-C**  
Sub station  
→ P.68

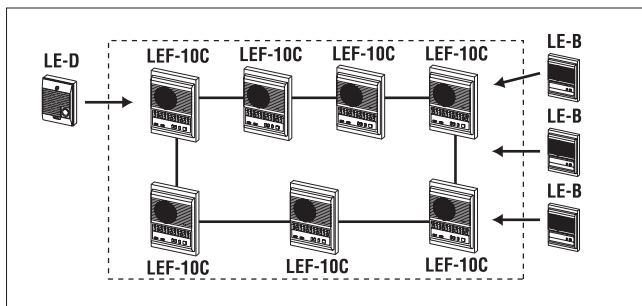
**LE-CN**  
Privacy sub  
→ P.68

**Power supply**  
**PS-1215DIN** → P.100

## Features

- Intermixable system with any number of masters and subs to max. capacity
- Selective calling from any master with handsfree reply
- LEF surface and LEF-C semi-flush units can be intermixed
- Variety of sub stations are available
- Weather-resistant door stations (any number) with selective door release
- System options: PanTilt door/monitor(s), All Call/Music/Chime
- Selective door release with LEF-5/10/10S (w/RV-PA)

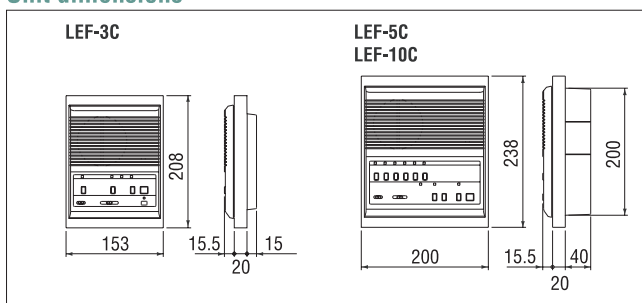
## Communication network



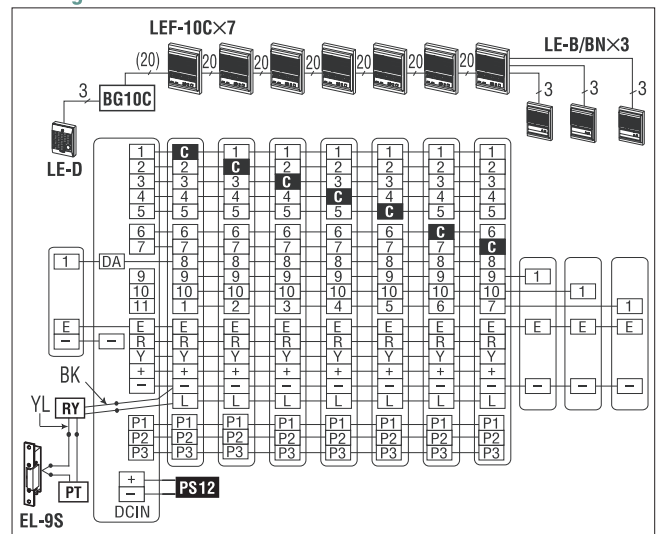
### Intermixed configuration

Internal communication by Selective call. Sub calls in with tone & LED 20 sec.

## Unit dimensions



## Wiring



**PS12** : PS-1215DIN    **RY** : RY-PA relay    **PT** : AC transformer  
**BK** : Black(2)    **YL** : Yellow(2)

## Specifications (LEF-C)

|                 |   |
|-----------------|---|
| Power source    | 12V DC, 300mA per station.  |
| Power supply    | PS-1215DIN  |
| Communication   | Sub/door calls in w/tone & LED, 20 sec.<br>Depress the LED lit selector button. Depress TALK/LISTEN switch. The LED stays lit while in use. Single talk channel w/OCCUPIED lit. |
| Output          | 800mW at 20Ω (receive).<br>500mW at 20Ω (transmit).   |
| Door release    | Contact: 110V AC, 1A.<br>24V DC, 1A. (on RY-PA output).   |
| Selector switch | Contact: 12V DC, 1A. (K terminals)  |
| Wiring          | 5 or 6 common + no. all stations  |
| Distance        | Farthest LEF-C's 200m(0.65mmφ)<br>300m(0.8mmφ)  |