

# Handset Intercom

MASTER

SUB

1



3

# AT-406



## Master station



**AT-206**  
Master station

## Sub station



**AT-306**  
Sub station

## Boxed set



**AT-406**  
Boxed set (white color)  
**AT-406P**  
Display pack

**Power supply**  
**PS-0603DIN** or Batteries  
→ P.100



**AT-406B/A**  
Boxed set(charcoal gray)

## Lineup

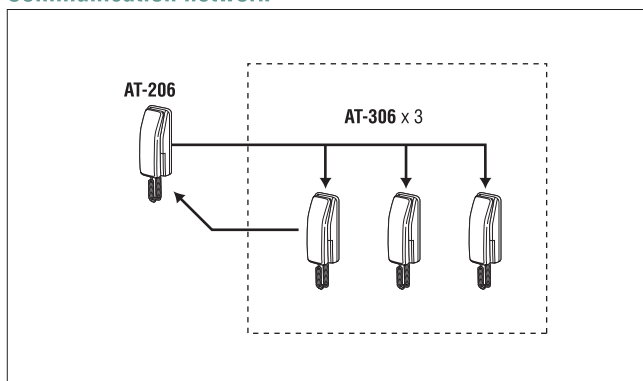


**TAR-3**  
External signaling relay  
→ P.98

## Features

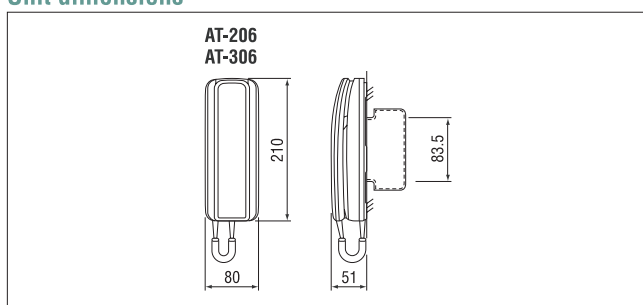
- Handset master-sub intercom w/2 additional subs (optional)
- Battery status LED
- Batteries or DC power supply
- Buzzer or bell activation (optional)

## Communication network

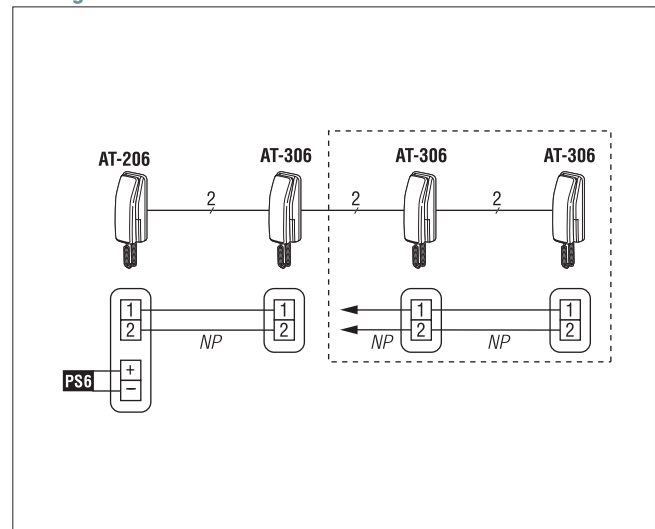


Master calls all the subs simultaneously, while the sub rings the master only.

## Unit dimensions



## Wiring



PS6 : PS-0603DIN

## Specifications (AT-406)

Power source	6V DC, 150mA
Power supply	PS-0603DIN or Batteries "AA" (SUM-3) x 4 pcs
Communication	Press CALL button to ring all subs. Pick up any phone. Sub rings master only. Common talk.
Wiring	2 parallel wires, non-polarized
Distance	2-station set 700m(0.65mmø) 1000m(0.8mmø) AT-206 to subs 1~3 400m(0.65mmø) 600m(0.8mmø)