

Chime Tone Intercom

DOOR **2** ROOM **6** **IE-8MD**

Door station



IE-JA
Door station
→ P.33



IF-DA
Door station
→ P.33

Power supply
PS-1215DIN PS-1820DIN 40781
→ P.100 → P.100

Master station



IE-8MD
6-call master

Sub station



IE-8HD
6-call sub master

Lineup



EL-9S
Electric door strike
→ P.97



TAR-3
External signaling relay
→ P.98

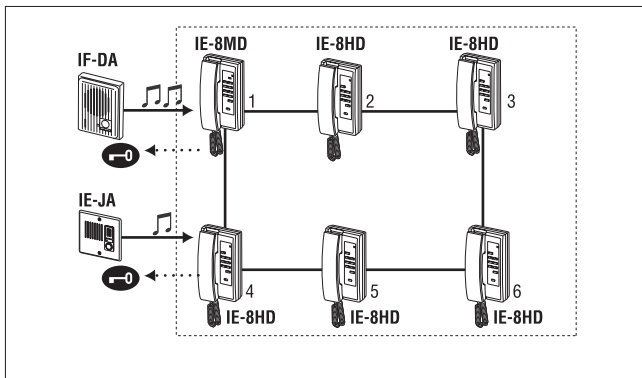


RY-AC/A
External signaling relay
→ P.97

Features

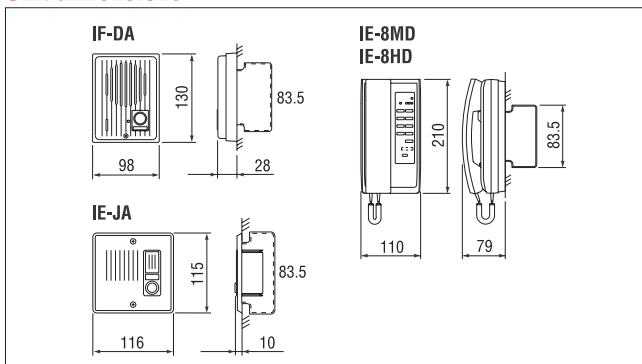
- Expandable to 6-station system
- Selective or All Call between inside stations
- Door select and monitor button (on IE-8MD only)
- AC or DC power source
- Selective door release control
- Chime tone cutout on inside stations, selectable

Communication network

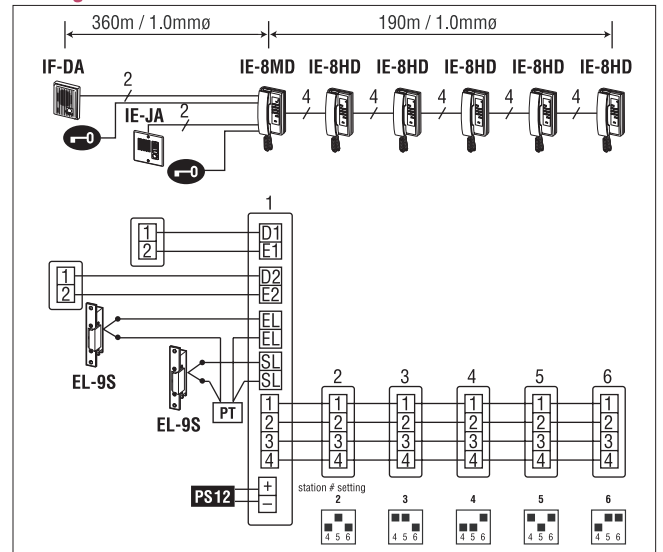


Internal communication by Selective Call or All Call. Chime tone can be muted at each station selectively.

Unit dimensions



Wiring



[PT] : AC transformer [PS12] : PS-1215DIN, [PS18] : PS-1820DIN or AC transformer

Specifications (IE-8MD)

Power source	12~16V AC, 900mA, 12~18V DC, 500mA
Power supply	Intercom only; DC 12V or 18V power supply. AC transformer 12V AC, 10VA or 16V AC, 14VA w/no load voltage 20V or less. Intercom + EL-9S; 12V AC, 10VA only
Communication	Door calls in w/4- or 2-tone chime and LED, 45 sec. Pick up any handset to reply. Press 1 ~ 6 to call other station with pretone and voice or All Call. Single channel, common talk system.
Door release	Contact rating: 24V AC/DC, 350mA.
Wiring	2 parallel wires, to door. 4 wires in loop, between rooms.
Distance	IE-8MD to door 150m(0.65mmø) 360m(1.0mmø) Rooms 75m(0.65mmø) 190m(1.0mmø)