

Chime Tone Intercom

DOOR 1 ► ROOM 3 IE-1GD(U)

Door station



IE-JA
Door station
→ P.33

Master station



IE-1GD(U)
Master station

Sub station



IEH-1CD
Sub master station

Lineup



EL-9S
Electric door strike
→ P.97



IER-2
Call extension
→ P.97



TAR-3
External signaling relay
→ P.98

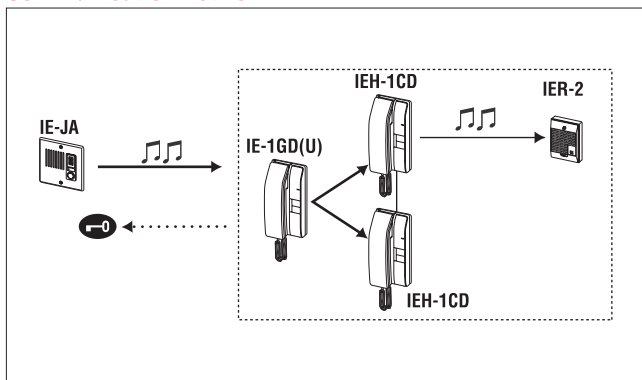
Power supply

12~24V DC power supply (PS-1215DIN → P.100)
12~16V AC transformer (40781 → P.100)

Features

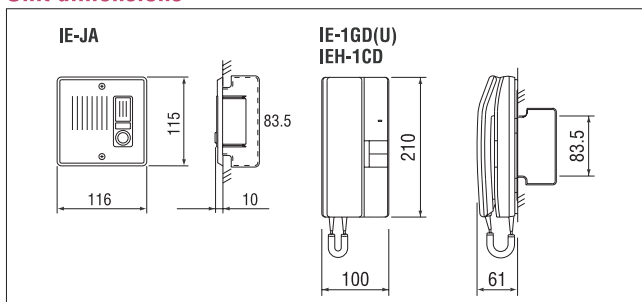
- 3-station chime tone intercom with one door
- Door release button
- All call type room calling
- Chime tone cutout at sub station
- AC or DC power source

Communication network

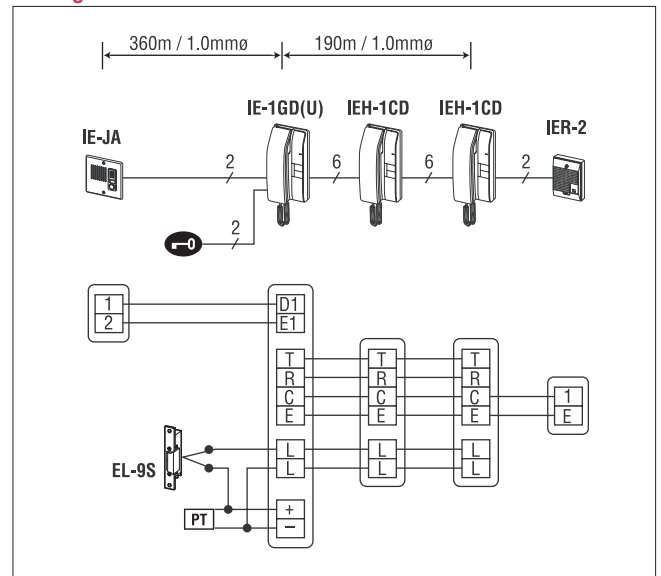


All Call type calling with pretone & voice

Unit dimensions



Wiring



- Run audio wires in a separate jacketed cable from door release wires.
- [PT]: AC transformer

Specifications (IE-1GD(U))

Power source	12~16V AC, 200mA, 12~24V DC, 200mA.
Power supply	AC transformer 12~16V, 550mA (for both IE & EL-9S), PS-1215DIN 40781
Communication	Door calls in w/4-tone chime to all stations. Chime can be cut out at sub(s). Pick up any station to reply. Press CALL to call other inside stations with pretone & voice.
Door release	Contact rating: 24V AC/DC, 500mA
Wiring	2 parallel wires to door, non-polarized. 6 wires in loop, between rooms.
Distance	IE-1GD(U) to door 150m(0.65mmø) 360m(1.0mmø) Between rooms 75m(0.65mmø) 190m(1.0mmø)