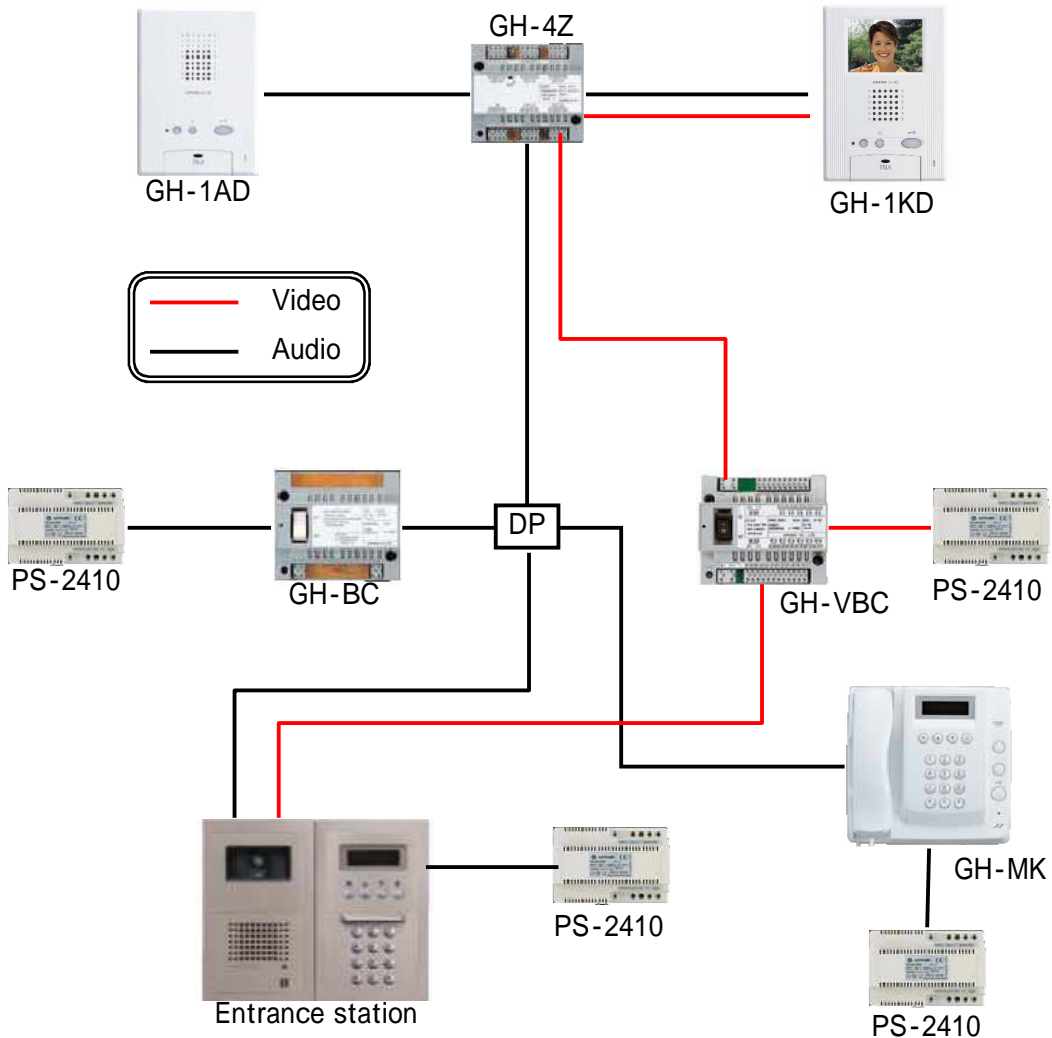


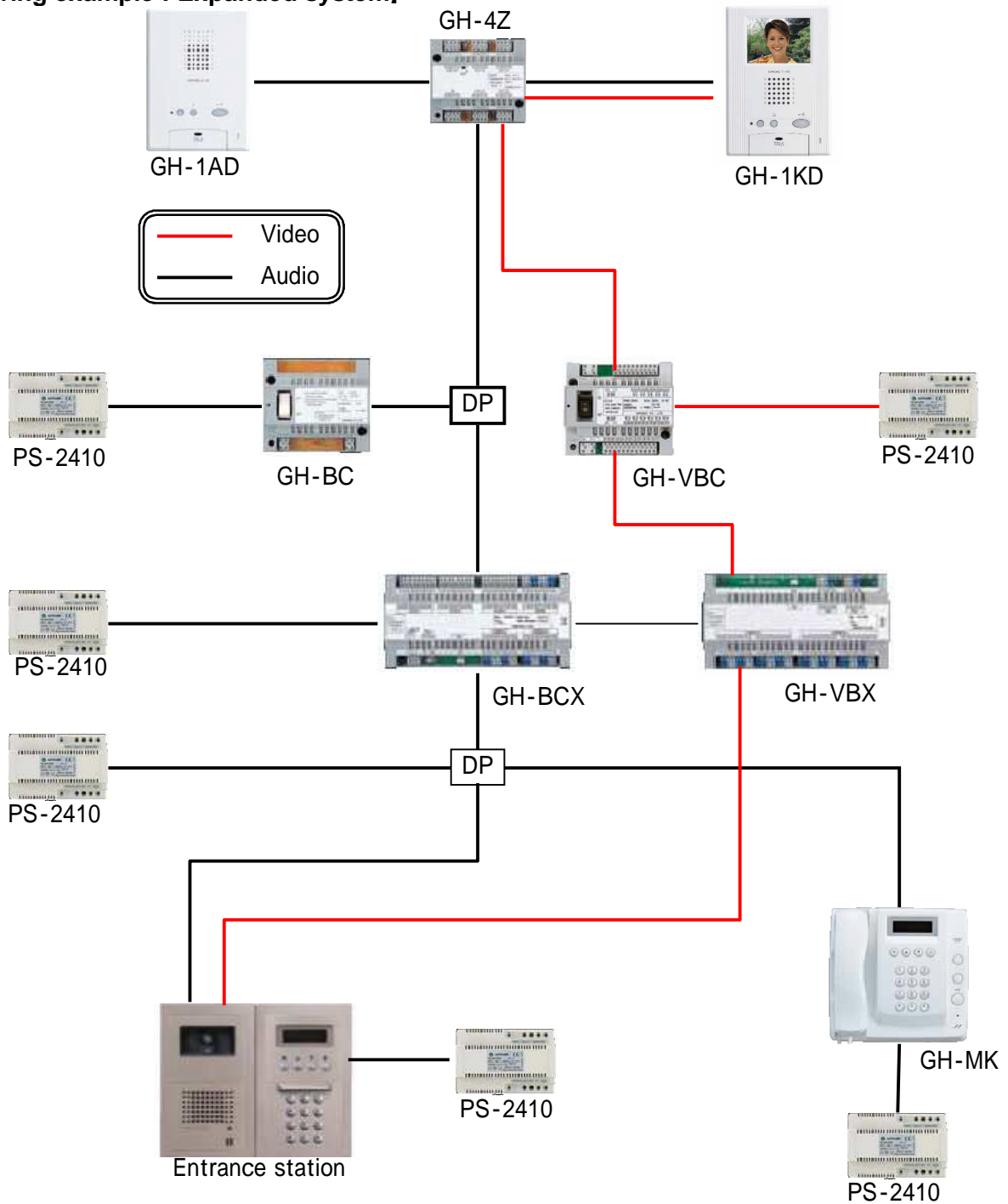
GH System
Using CAT5e cable

- SYSTEM/MODEL:** GH Standard System and Expanded System
- MODIFICATION:** Using CAT5e instead of PE cable
- DIFFICULTY LEVEL:** Level 1 - Easy - Wire Connection Only
- COMPONENTS REQUIRED:** No
- APPLICATION:** Apartment
- INSTR/OPERATION:** System layout & installation are same as GH system. Specification of wiring distance are fig.1. And how to bundle wiring is shown in fig2.

[Wiring example : Standard system]



[Wiring example : Expanded system]



GENERAL PRECAUTIONS:

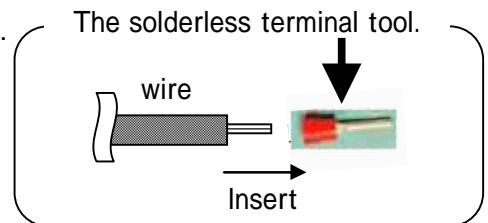
Please note that modifying a unit will not void its warranty unless while doing the modification you damage the unit. Aiphone is not liable for any damage caused during modification. Modifications should only be performed by a person with the skills and knowledge necessary to successfully complete the modification. Modification levels are broken down into 5 levels, based on their difficulty.

- Level 1 - Easy - Wire Connection Only
- Level 2 - Easy/Moderate - Component Connection to External points.
- Level 3 - Moderate - Removal and replacement of internal Components.
- Level 4 - Moderate/Hard - Internal connection or component addition.
- Level 5 - Hard - Circuit Creation and Internal Addition.

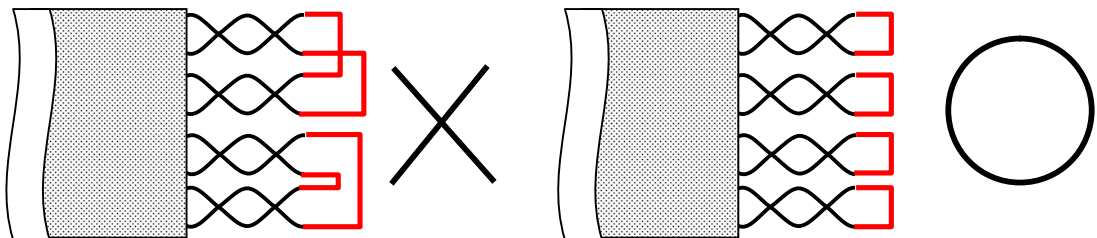
FIG.1 Specifications of Wiring distance

Diameter of wires	PE cable	CAT5e	Equivalent with PE 0.8mm.
	0.8 mm	4wires in 1 line	
	(20 AWG)	correspond 0.88mm	
GH-BC - DP		5m	
DP - GH-DA		300m	
GH-VBC - GH-VA		300m	
GH-MK - DP		300m	
DP - farthest residential station		300m	
GH-VBC (1monitor/residence)	Color	150m	
	Black/White	-	
GH-VBC (2monitor/residence)	Color	100m	
	Black/White	-	
GH-VBC (SW: STD)		150m	
GH-BC - power supply		5m	
GH-VBC - power supply		5m	
GH-NS - power supply		300m	
GH-MK - power supply		300m	
Standard system		2500m	
GH-BCX - power supply		5m	
GH-BC - GH-BCX		300m	
GH-VBC - GH-VBX		150m	
GH-DA - GH-BCX		300m	
GH-VA - GH-VBX		300m	
Expanded system total per Common trunk line(max:2)		2500m	
Expanded system		2500m	

[Note] 1.Please use a solderless terminal tool to bundle wires.



- 2.Do not use CAT5 cable. CAT5 has the less capacity of signal transmission.
- 3.Do not break the pair cable.



Example : 4 wires in 1 line

