

# Handsfree Color Video Bus Apartment System

## Residential station



**GH-1KD**  
Color monitor apartment station



**GH-1MD**  
B&W monitor apartment station



**GH-1AD**  
Audio apartment station

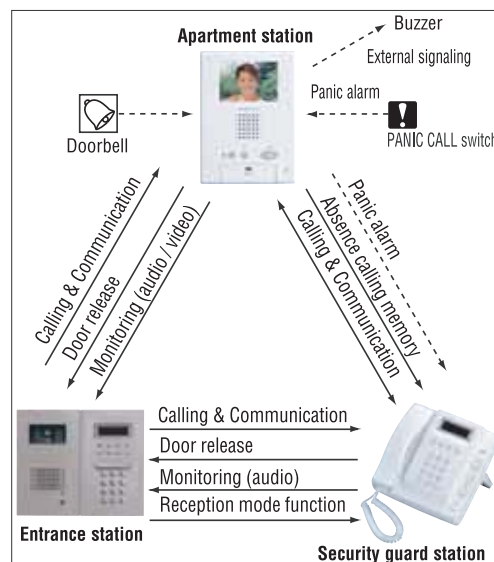


**GH-HS**  
Option handset for GH-1KD

### Features

- Selectable 3 types of stations (Color monitor, B&W monitor, or Audio only)
- Handsfree communication, auto-voice actuation
- Press-talk operation available
- Max. 4 apartment stations can be linked per Residence (max. 2 monitor stations)
- Monitoring a Video entrance station (audio & video)
- Call tone cutout with LED indicator
- Security guard call
- Additional handset available for GH-1KD
- Option
  - External signaling device to Apartment station (w/GH-RY)
  - Doorbell at individual door with different call tone
  - Auto-Entry (Doctor call), door strikes automatically opens by pressing the Call button at the entrance station. (Not available to use together with entrance light feature)
  - User-optional device can be controlled with SERVICE button, such as
    - Light on and off at entry way to elevator
    - Elevator control, goes down to the ground floor or up to resident floor
    - Panic call, call an Emergency to the Security guard station(s) by panic call button

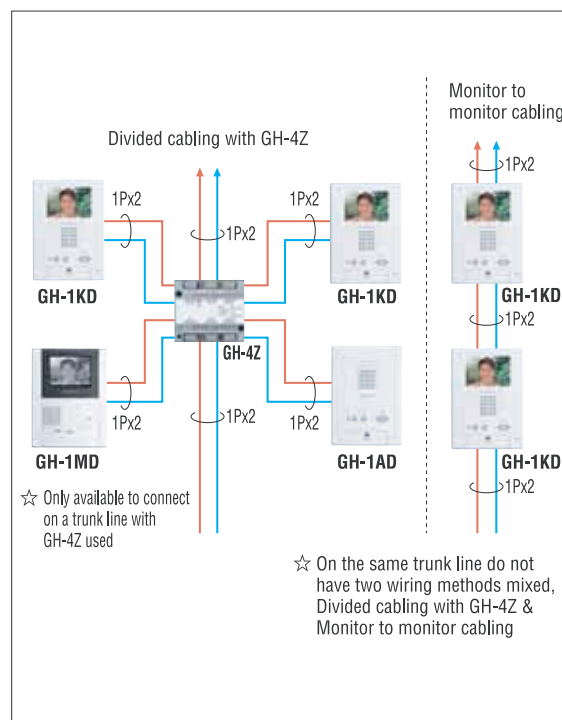
### Functions



### Specifications (GH-1KD, GH-1MD, GH-1AD)

Power source	DC 24V, supplied from Bus control units, GH-BC & GH-VBC
Video monitor	GH-1KD: 3-1/2" color LCD GH-1MD: 4" B&W CRT
Wiring	GH-1KD, GH-1MD: Two Single-pair cables common GH-1AD: Single-pair cable common
Mounting	Wall-mounting only
Housing	Fire-retardant plastic

### Trunk line



### Unit dimensions

