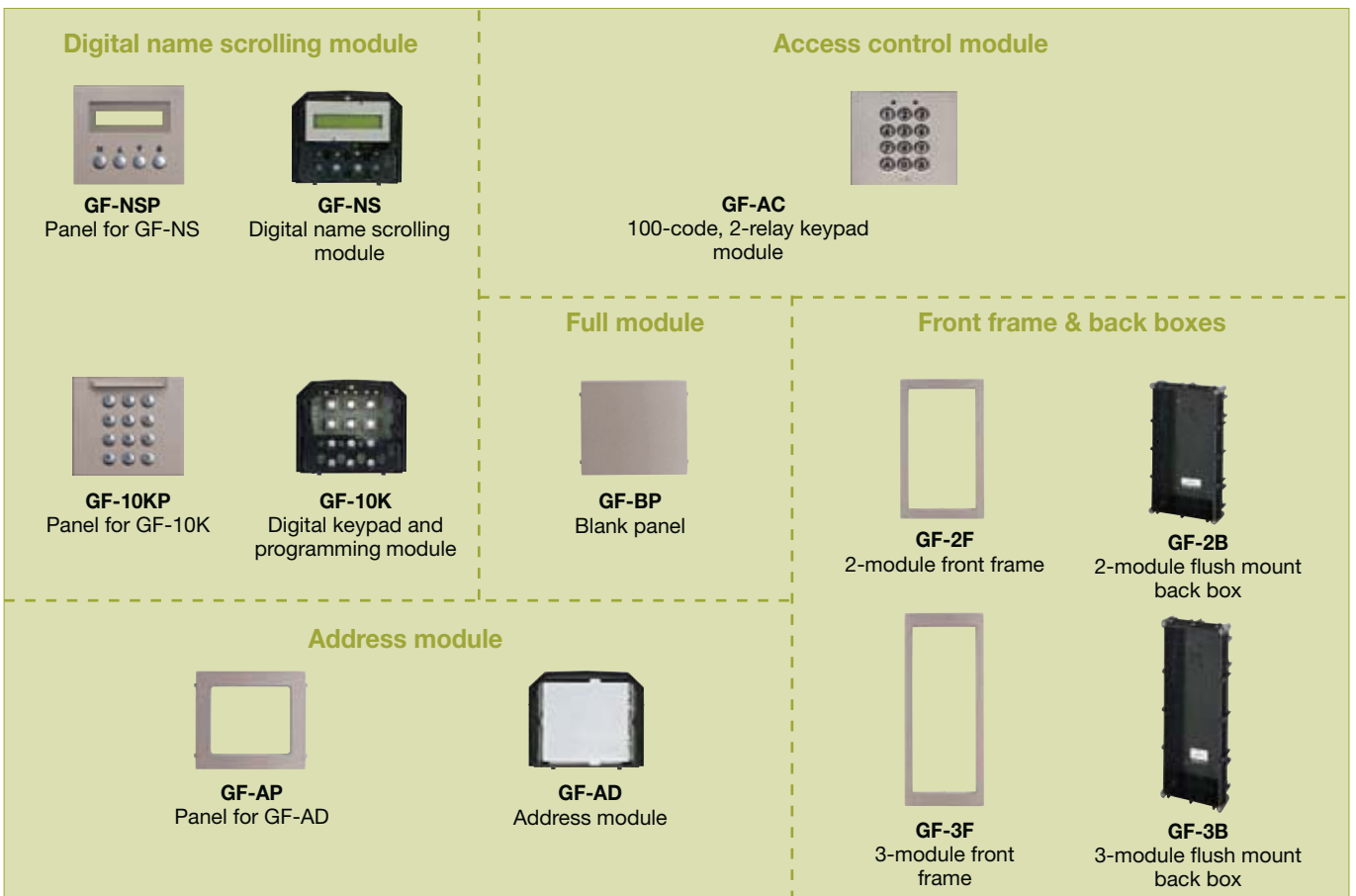
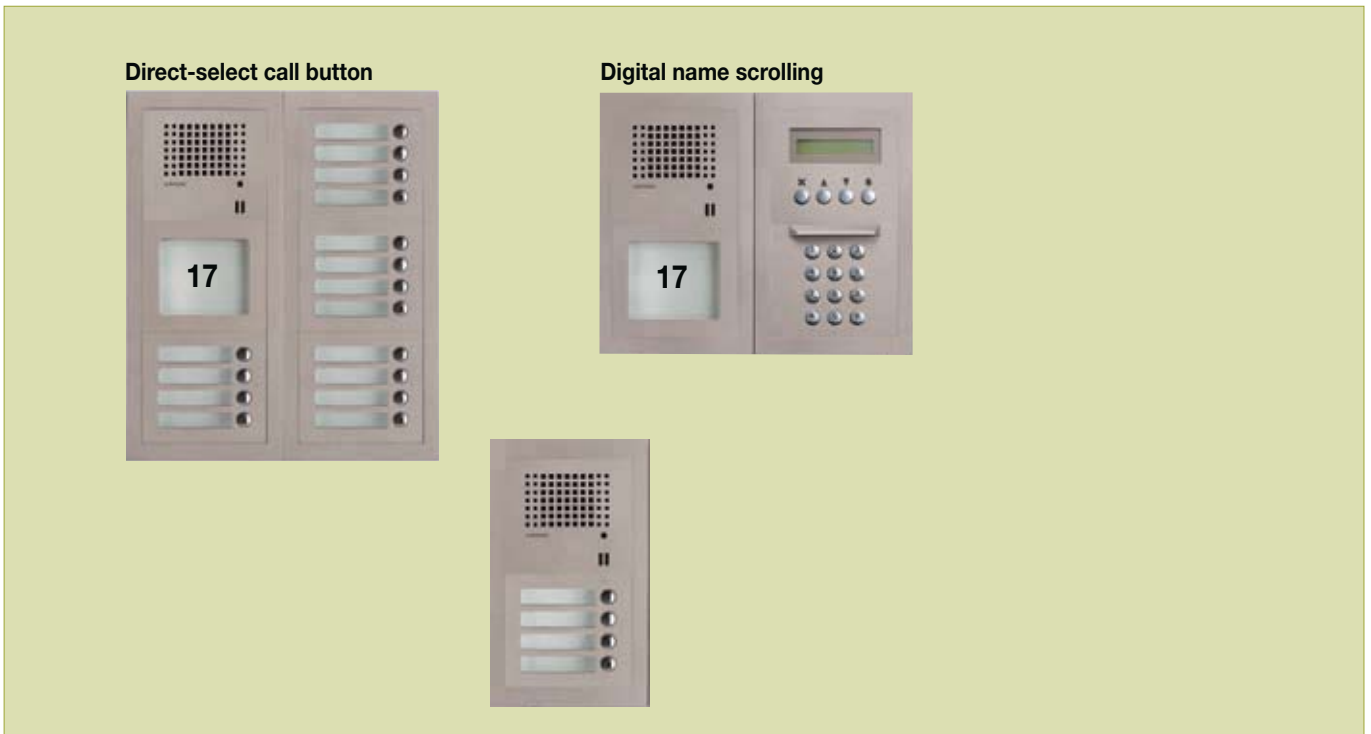


2-WIRE BUS SYSTEM

GF entrance station modules

Audio entrance stations



Specifications (GF-NS)

Power supply	24 VDC, supplied by a power supply PS-2410DIN
Power consumption	0.07 A
Wiring	1-pair
Type of wire	2-conductor cable solid copper non-braided wire, polyethylene insulation, 0.6 mmØ to 0.8 mmØ
Housing	Fire-retardant plastic
Weight	Approx. 150 g

Specifications (GF-10K)

Housing	Fire-retardant ABS plastic
Lighting	Yellow LED
Weight	Approx. 90 g

Specifications (GF-AD)

Housing	Fire-retardant ABS plastic
Lighting	Yellow LED
Weight	Approx. 90 g

Hooded surface mount box for GF panels (GF-nHBA)

Hooded flush mount for GF panels (GF-nHA)

FOR		PROVIDE					
GF-2F GF-2F & GF-2B	GF-3F GF-3F & GF-3B	GF-102HBA GF-102HA	GF-202HBA GF-202HA	GF-103HBA GF-103HA	GF-203HBA GF-203HA	GF-303HBA	Dimensions
1		1					155 x 243
2			1				290 x 243
	1			1			155 x 338
	2				1		290 x 338
	3					1	425 x 338

For GF-nHBA: depth 65 mm (hood 85 mm) - Do not provide GF-2B and GF-3B back boxes

For GF-nHA: depth 22 mm (hood 42 mm)

Surface mount box for GF panels (GF-nBA)

FOR		PROVIDE				
GF-2F	GF-3F	GF-102BA	GF-202BA	GF-103BA	GF-203BA	Dimensions
1		1				139 x 229
2			1			274 x 229
	1			1		139 x 324
	2				1	274 x 324

For GF-nBA: Do not provide GF-2B and GF-3B back boxes

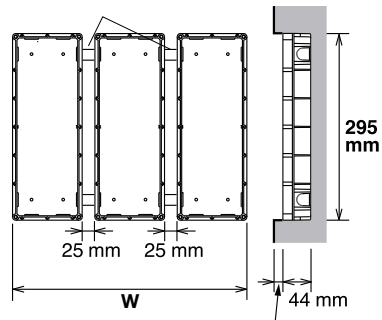
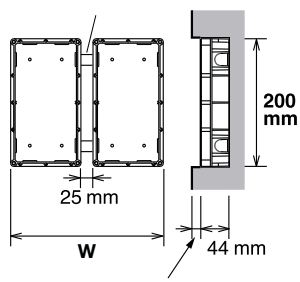


GF-203HBA



GF-203HA

2-WIRE BUS SYSTEM



	110
	245
	380
	515
	650
	785
	920
	1055
	1190

