

Two-Wire Electric Lock Door Phone

ENTRANCE

RESIDENCE

1

4

DA-4DS

Entrance station



DA-2DS
2-call door station



DA-4DS
4-call door station



DA-2DG
2-call door station



DA-4DG
4-call door station

Residential station



DA-1MD
Master station

Power supply **PT-1211DR**

Lineup



EL-9S
Electric door strike
→ P.97



DAR-1
Call extension

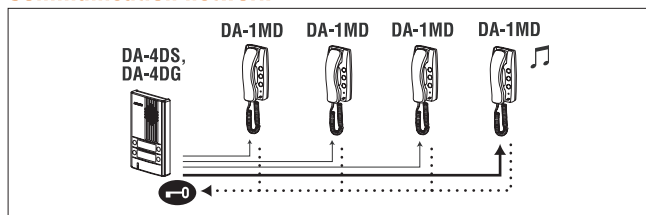


DAW-P
Door station mounting plate
(83.5mm)

Features

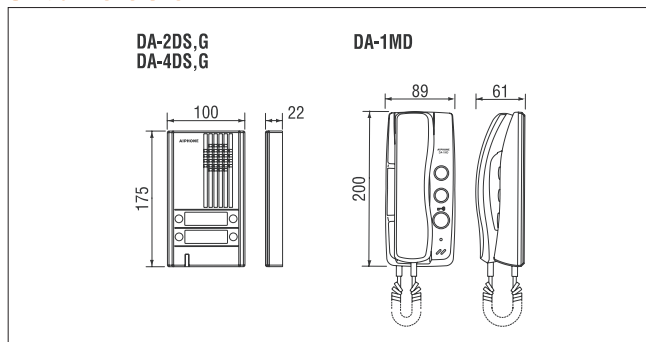
- Two-wire system
- Door release wired to door station, requiring no power transformer
- User-optional function button
- Call tone MUTE with indicator
- Call extension sounder

Communication network



Electronic tone. Direct select ring.

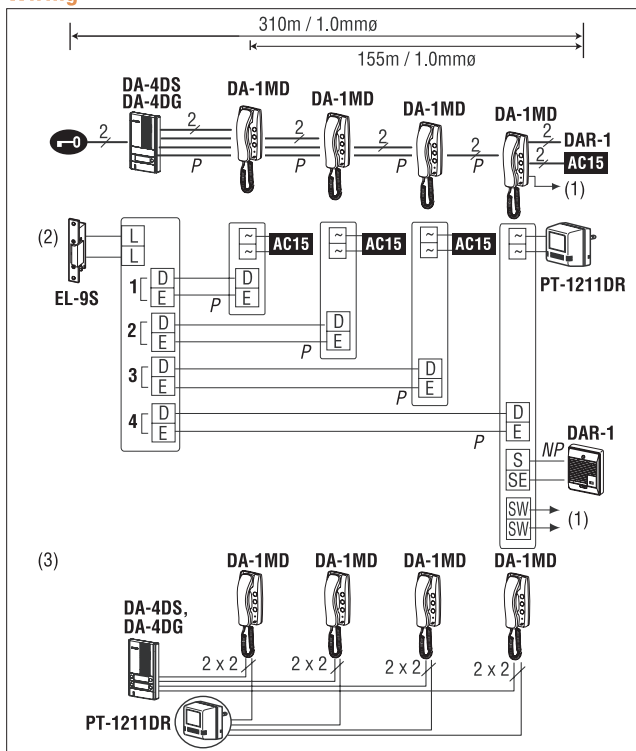
Unit dimensions



Specifications (DA-4DS, G)

Power source	AC 15V.
Power supply	PT-1211DR (230V)
Communication	Press and hold down Button to call.
Wiring	2 wires, throughout system: PS - Master - Door - Door rlse.
Distance	PT-1211DR ~ Door rlse. 110m(0.6mmø) 200m(0.8mmø) 310m(1.0mmø) PT-1211DR ~ DA-1MD 55m(0.6mmø) 100m(0.8mmø) 155m(1.0mmø)

Wiring



(1) Ext. device Relay/Controller : User-optional function(AC18V, 40mA) (2) Door release : EL-9S or AC 16V, 20Ω or more (3) When a single common power supply is used