

PanTilt Video Sentry

DOOR 2 ROOM 3 MK-2MCD

Features

- Two-PanTilt door, three-monitor system with door release
- Instant voice call-in with image
- Internal handset communication. All call type voice calling
- Transfer of door call-in. Image of a caller stays on

- Optional audio door station at second entrance
- Infrared LED's projected on callers at 50cm in the darkness

Door station



MK-DBC
Video door station



MK-DGC
Video door station



MK-DAC
Video door station



MK-DH
Video door station
Fixed camera

Master station



MK-2MCD
Master station

PS18

IER-2
Call extension
→ P.97

Sub station



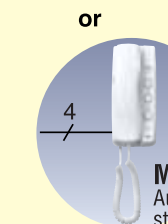
MK-2HCD
Sub master station



MK-2SD
Audio sub station



MK-2HCD
Sub master station



MK-2SD
Audio sub station

Lineup



KC-32EU
Picture memory unit
→ P.24



MK-D
Audio door station



EL-9S
Electric door strike
→ P.97



RY-3DL
Door release adaptor
→ P.25



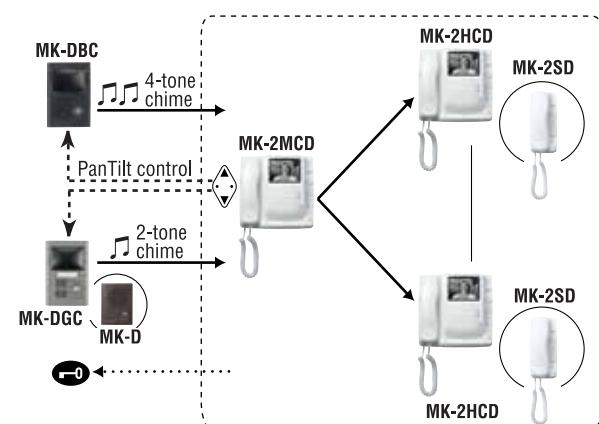
MKW-R
Surface mount box
for MK-DBC



KAW-D
30°angled box
→ P.15

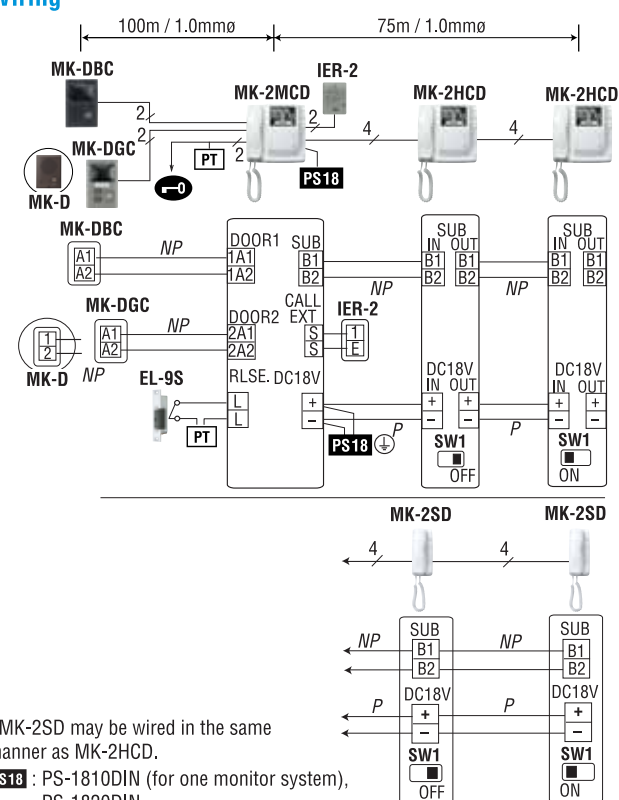
Power supply **PS-1810DIN**(1 monitor) **PS-1820DIN** → P.100

Communication network



Instant voice calling w/image. Pan/tilt camera from any inside monitor station. All call initiated w/pre-tone/voice. Internal communication on handsets.

Wiring

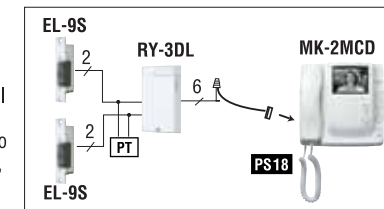


- MK-2SD may be wired in the same manner as MK-2HCD.
- PS18** : PS-1810DIN (for one monitor system), PS-1820DIN
- PT** : AC transformer SW1-ON : Terminated

Wiring

Selective door release & OPTION feature button

When the system needs to control two door releases selectively, install the RY-3DL adaptor. The OPTION button may be used, for example, to turn the porch light, etc. For wiring, 6-pin connector is available as an accessory. It plugs into the socket on back of MK-2MCD unit, providing control outputs for Door Release and Option feature.



Unit dimensions

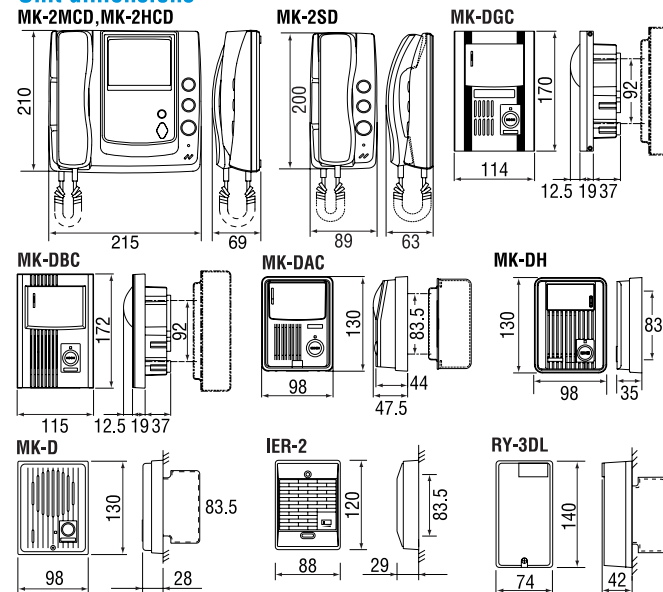
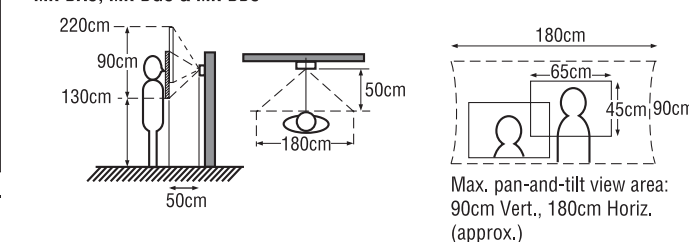


Image view area

MK-DAC, MK-DGC & MK-DBC



Max. pan-and-tilt view area:
90cm Vert., 180cm Horiz.
(approx.)

Specifications

Power source	DC 18V
Consumption	MK-2MCD: (Max.) 750mA. MK-2HCD: (Max.) 450mA. MK-2SD: (Max.) 70mA.
Power supply	PS-1820DIN; PS-1810DIN (1monitor)
Calling	Chime, audio & image, approx. 45 sec.
Communication	Simultaneous with handsets, approx. 2-1/2 min. Extend w/MONITOR. All call type voice calling, common talk.
Video monitor	4" direct view flat CRT
Scanning lines	525 lines
Minimum illumination	1 Lux or less at 30cm distance
Door release	AC 12V, 0.4A dry-closure contact(L, L).
Wiring	2 conductors to door. 4 conductors between inside stations
Distance	Door to MK-2MCD 100m(1.0mmø) MK-2MCD to farthest sub 75m(1.0mmø) MK-2MCD to PS18 10m(1.0mmø)