

Integrated Security & Communication System

MASTER 8 DOOR 120 AX



Available 4th Quarter 2006

Preliminary Information



COMMERCIAL & INSTITUTIONAL APPLICATION SYSTEM

COMMERCIAL & INSTITUTIONAL APPLICATION SYSTEM

Master station

AX-8MV
8-call color monitor master station

AX-8M
8-call audio master station

AX-16SW
16-call add-on selector

AX-8MV, AX-16SW

Door station

AX-DV
Color video door station

AX-DVF
Color video door station

AX-DM
Audio door station

IF-DA
Door station

IE-JA
Door station

AX-DV-P
Color video door station w/space for embed proximity reader

AX-DVF-P
Color video door station w/space for embed proximity reader

Central control unit

AX-084C
Central control unit, 4 masters and 8 doors

AX-248C
Central control unit, 8 masters and 24 doors

AX-320C
Add-on control unit, 32 doors

Power supply
PS-2420DIN, PS-2420S → P.100

Features

- Up to 120 video entrance stations and 8 master stations
- All wired on CAT5 (4P), homerun cabling
- Total handsfree communication, auto-voice actuation
- Press-to-talk operation & optional headset available
- Masters available with 3-1/2" color TFT LCD
- 2 talk channels and 2 video channels
- Integrate with CCTV, PC, Access control, etc.
- Two type of All call among masters, Standard & Priority
- Audio/visual Monitoring
- Scan monitoring-Handsfree audio/visual monitoring
- Selective remote control (e.g. door release)
- PC remote monitoring & control
- PC programmable and event logging

Communication network

AX-8MV ↔ AX-8MV ↔ AX-DV, AX-DVF, AX-DM

Video signal → Monitor

← Calling & communication (w/video from door)
--- Door release

System Integration

AX System ↔ Security Integration Software (PC) ↔ CCTV System

AX System ↔ Access Control System

AX-DVF-P ↔ Access Control System (Card ID)

AX System ↔ PC (System log, Remote door release)

PC ↔ CCTV System (Switch camera, Video signal)

AX System ↔ Access Control System (Door release, Door release history, Remote door release)

Cabling

AX-8MV, AX-8M, AX-DV, AX-DVF, AX-DM connected to AX-084C via CAT5.

AX-084C connected to PC, CCTV Switcher, Access Control System via RS232C.

Access Control System connected to PC, CCTV Switcher, Camera, Monitor, VCR.

PC programming

Location No.	Location Name	Video	Audio	Series	Call Level	Call Period	Scan Monitor	8Mx11
1	Front Entrance	Video	Audio	AX	Priority	NO	Enable	On
2	Parking	Video	Audio	AX	Normal	NO	Enable	On
3		Video	Audio	AX	Normal	NO	Enable	On
4		Video	Audio	AX	Priority	NO	Enable	On
5		Video	Audio	AX	Normal	NO	Enable	On
6		Video	Audio	AX	Normal	NO	Enable	On
7		Video	Audio	AX	Normal	NO	Enable	On
8		Video	Audio	AX	Normal	NO	Enable	On


*The design and specifications are subject to change without notice for improvement.

76


77

Integrated Security & Communication System

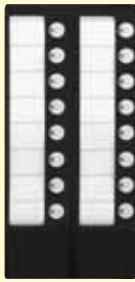
Master station



AX-8MV
8-call color monitor master station



AX-8M
8-call audio master station



AX-16SW
16-call add-on selector

Features

- Up to 8 door stations & 8 master stations
- Expandable up to 120 door stations using AX-16SW
- 3-1/2" TFT color LCD (AX-8MV)
- Handsfree, press-to-talk, & optional headset communication available
- Available in wall and desk top styles
- Master - to - master calling
- Standard & Priority All call available among masters
- 2 talk channels & communication privacy
- 1 Video output (NTSC) (AX-8MV)
- Scan monitor, selective remote control (e.g. door release)
- External talk switch connection available (e.g. footswitch)
- Call extension

Door station

Video
Surface mount



AX-DV
Color video door station



AX-DV-P
Color video door station w/space for embed proximity reader

Flush mount



AX-DVF
Color video door station



AX-DVF-P
Color video door station w/space for embed proximity reader

Audio
Surface mount



AX-DM
Audio door station



IF-DA
Door station
Flush mount

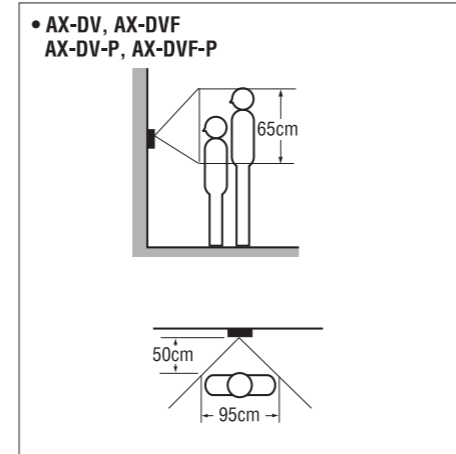


IE-JA
Door station

Features


- Vandal-resistant construction AX-DV & AX-DV-P; Surface wall mounting w/aluminum die casting panel AX-DVF & AX-DVF-P; Flush mounting w/stainless steel panel
- Space provided to embed proximity reader (AX-DV-P & AX-DVF-P)
- Illumination LED's automatically turn on in low light conditions w/color video door stations
- Mullion surface mount (AX-DM)

Image view area




Preliminary Information


Central control unit



AX-084C
Central control unit,
8 doors and 4 masters



AX-248C(photo)
Central control unit,
24 doors and 8 masters

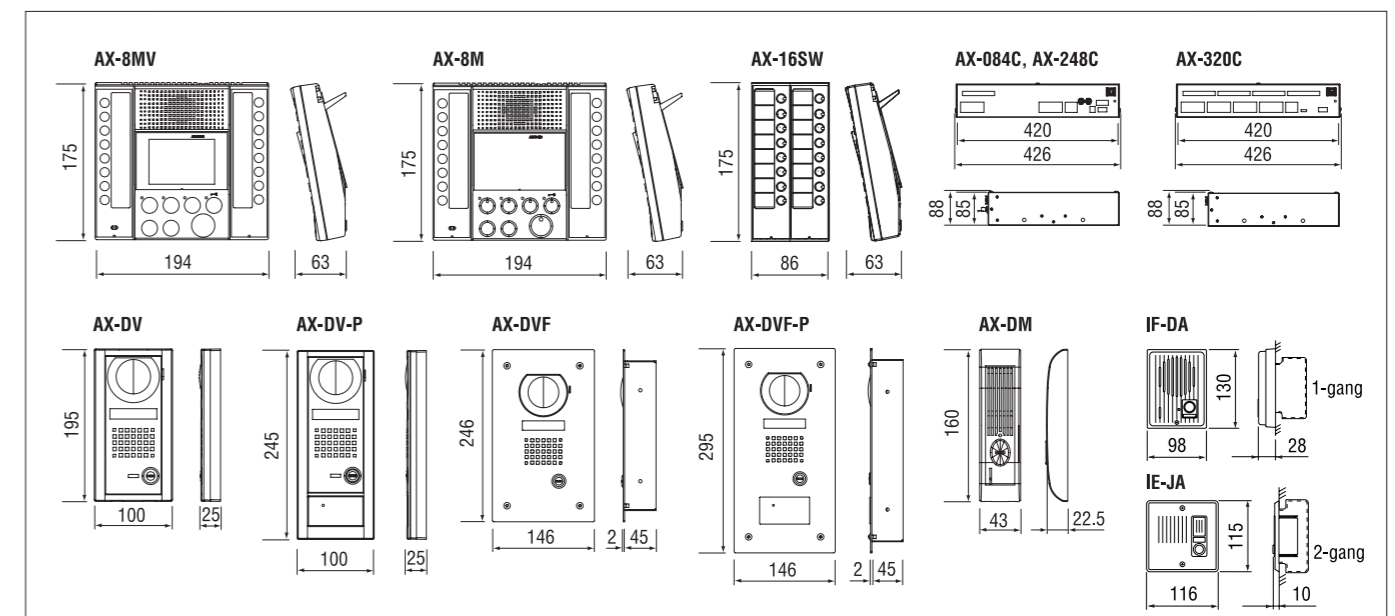


AX-320C
Add-on control unit,
32 doors
(max. 3 units)

Features

- Up to 8 doors & 4 masters w/AX-084C
- Up to 24 doors & 8 masters w/AX-248C
- Additional 32 doors available w/AX-032C
- Homerun cabling w/CAT-5 (RJ-45 connector) to stations
- PC programmable
- 2 BNC video output (NTSC) w/active video signal
- Event logging and remote control available (e.g. PC, Access control, CCTV)
- RJ-232 serial output
- 19" Rack mountable (2U)

Unit dimension



Components

Number of door station	Master station	Add-on selector	Central control unit		Add-on control unit	Note
	AX-8MV/AX-8M	AX-16SW	AX-084C	AX-248C	AX-320C	
1 ~ 8	1	—	1	—	—	Max. 4 Master stations
9 ~ 24	1	1	—	1	—	
25 ~ 40	1	2	1	—	1	Max. 4 Master stations
41 ~ 56	1	3	—	1	1	
57 ~ 72	1	4	1	—	2	Max. 4 Master stations
73 ~ 88	1	5	—	1	2	
89 ~ 104	1	6	1	—	3	Max. 4 Master stations
105 ~ 120	1	7	—	1	3	