

Wide and Zoom & PanTilt Hands-free Color Video

NEW

DOOR
1

ROOM
2

JK-1MD/JK-1MED

Features

- One door & two monitors (3-1/2 inch); room to room communication is available
- Streamlined & Thin design, only 27 mm thickness
- Vandal resistant video door stations are available
- Optional audio sub master station (JK-1SD)
- Total hands-free communication, auto-voice actuation

VIDEO ENTRY SECURITY

Door station



JK-DV
Wide and Zoom & PanTilt Vandal-resistant video door station, surface mount
or



JK-DVF
Wide and Zoom & PanTilt Vandal-resistant video door station flush mount



JK-DA
Wide and Zoom & PanTilt video door station, surface mount

Power supply PS-1810DIN → P.98

Master station



Standard
Non-Picture memory

JK-1MD
Master station w/Wide and Zoom & PanTilt color monitor

or



Picture memory

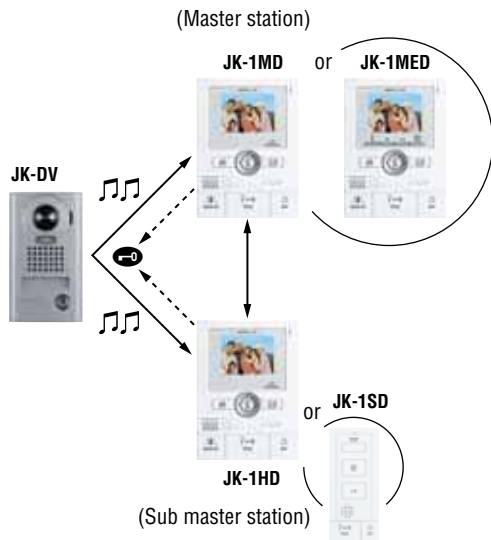
JK-1MED
Master station w/Wide and Zoom & PanTilt color monitor & built-in picture memory.



IER-2
Call extension
→ P.95



Communication network



PANORAMIC WIDE View

Everyone at the entrance can be identified by image from JK wide angle camera. The field of vision can be controlled on WIDE mode or ZOOM mode from inside.



WIDE IMAGE



ZOOM IMAGE

Zoom & PanTilt

By pressing PanTilt button, the image of the PanTilt video door station can be adjusted to a more visible position from inside on the zoom mode.



*The screen images are simulated graphics. They are images to express functions, and are different from the real one. Please understand it beforehand.

The design and specifications are subject to change without notice for improvement.

- Talk LED lights in red while speaking
- Visual monitoring with audio for 1 minute
- Built-in picture memory; Record visitor both automatically & manually (JK-1MED only)
- Instant voice call-in with image
- Press-to-talk operation available
- Press-to-talk restriction
- White LED illumination turns on in low-light conditions

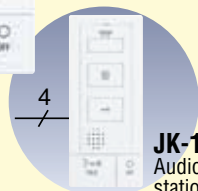
- Backlight compensation by "ADJUST" button
- Full color video in low light situations w/o external illumination
- PanTilt and Zoom & Wide camera control
- Camera angle preset
- External input
- Option - Option button, press-to-talk setting, video signal output

Sub master station



JK-1HD
Sub master station
w/color monitor

or



JK-1SD
Audio sub master
station

Boxed sets



Standard

- JKS-1AD:** JK-1MD, JK-DA & power supply
- JKS-1ADV:** JK-1MD, JK-DV & power supply
- JKS-1ADF:** JK-1MD, JK-DVF & power supply

Picture memory

- JKS-1AED:** JK-1MED, JK-DA & power supply
- JKS-1AEDV:** JK-1MED, JK-DV & power supply
- JKS-1AEDF:** JK-1MED, JK-DVF & power supply

Lineup



JKW-BA
Long distance adaptor
→ P.4
*Max. 300m away from
Master/sub to Door.



EL-12S
Electric door strike
→ P.95

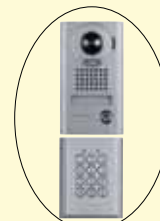
Access Control → P.93



AC-10S
Access control
keypad,
surface mount

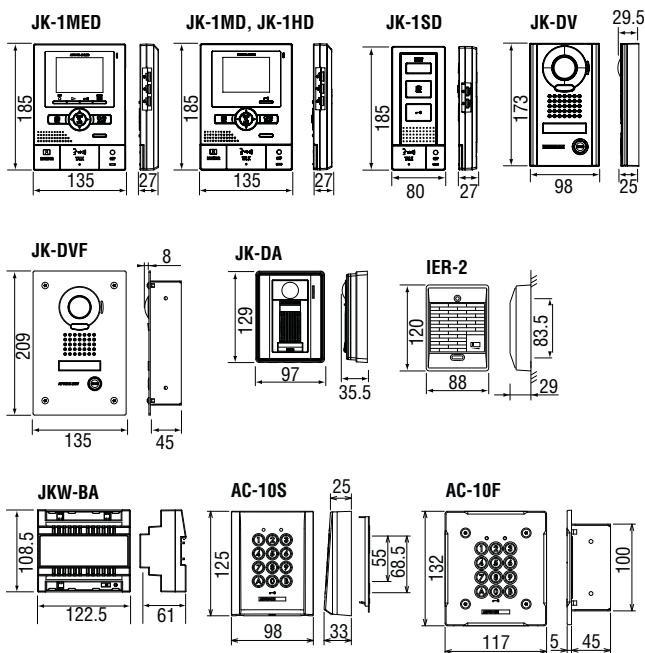


AC-10F
Access control
keypad,
flush mount



JK-DV + AC-10S

Unit dimensions

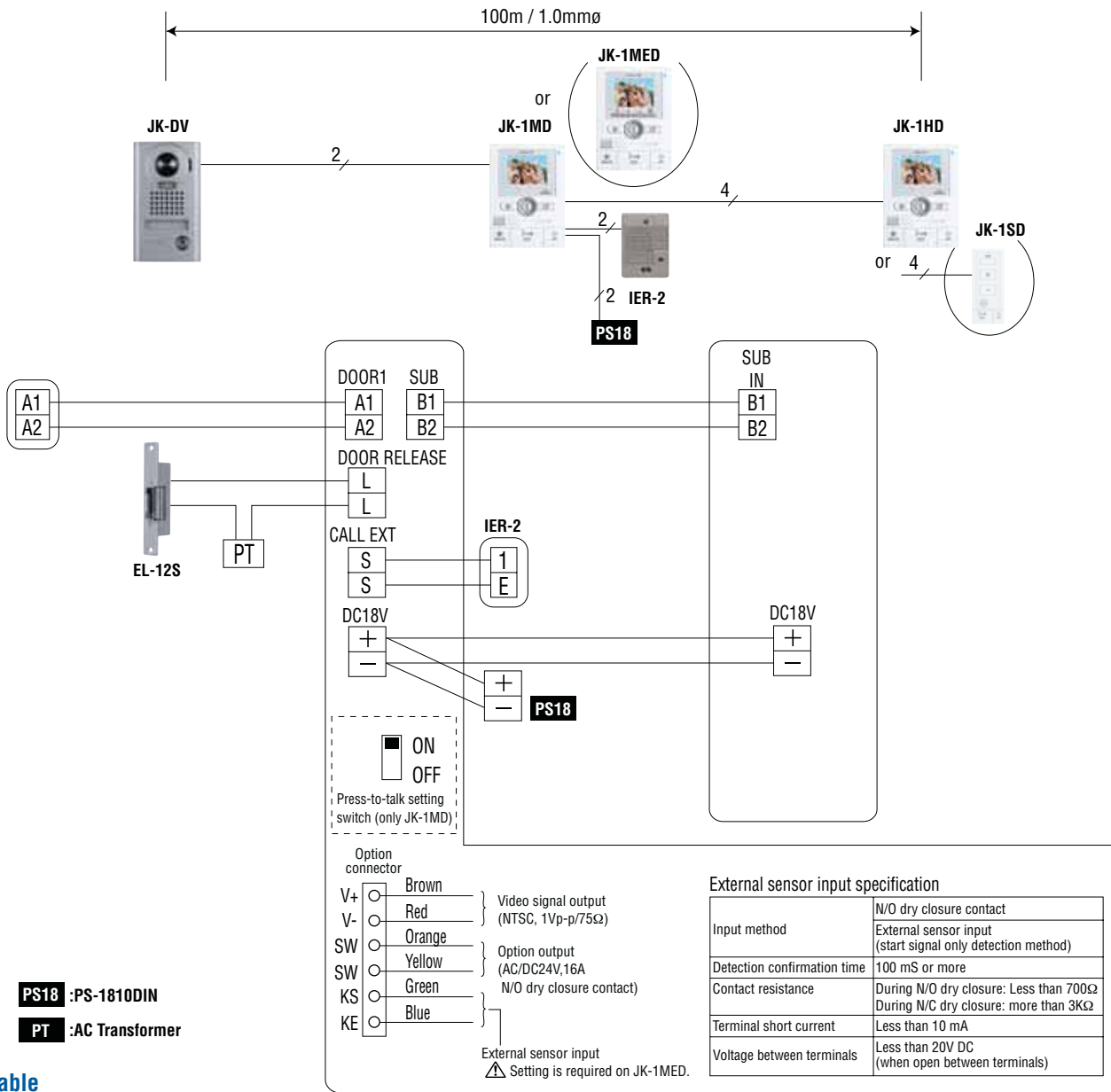


Specifications

Power source	18V DC
Power supply	PS-1810DIN
Consumption	Max. 400mA (JK-1MED, JK-1MD). Max. 200mA (JK-1HD). Max. 120mA (JK-1SD)
Calling	Chime. Image & audio, approx. 45 sec.
Communication	Approx. 1 min. AUTOMATIC (Hands-free); To activate, momentarily press TALK button. MANUAL (Press-to-talk/Release-to-listen); To activate, press TALK button for 1 sec. or more.
Video monitor	3.5 inch direct-view TFT color LCD.
Scanning line	525 lines
Video output	NTSC, 1Vp-p/75Ω
Night viewing	Up to 50cm from camera, with white LED projected, background beyond 50cm cannot be seen.
Door release	24V AC/DC, 500mA (N/O dry closure contact)
Option output	24V AC/DC, 1.6A (N/O dry closure contact)
Wiring	Door to master: 2-cond., mid cap, solid, non-shielded. Master to sub: 4-cond., mid cap, solid, non-shielded.
Wiring distance	Master/sub to door: 50m (0.65mmø) 100m (1.0mmø) Master to IER-2: 75m (0.65mmø) 150m (1.0mmø)

Wide and Zoom & PanTilt Hands-free Color Video

Wiring



Cable

Vinyl jacketed, PE(polyethylene) insulation cable is recommended. For other types of cables, normal operation and max. communication distance cannot be guaranteed.

Setting up (JK-1MED only)

On JK-1MED, clear screen displays & Indications realize your easy setting up!

(ex: select a language)



Setting name	Available setting	
Time	2008 01/01/ 00:00	
Language	English, French, Italian, Dutch, Spanish	
Door station chime tone	♪ 1 (Tone 1) ♪ 2 (Tone 2) ♪ 3 (Tone 3) ♪ 4 (Tone 4)	
Communication time	1 min. 2 min. 3 min. 5 min.	
Automatic night volume adjustment	Enable Disable	
External input	Detection	N/O N/C Disable
	Notification at door	OFF OFF ON
	Sound time	30 sec. Continuous Continuous
Press-to-talk setting	Enable Disable	
Recording	Picture	• All saved pictures are erased.
	Screen	• Zoom x 3, Wide x 3 • Wide x 3, Zoom x 3 • Zoom x 6 • Wide x 6

※ are initial views

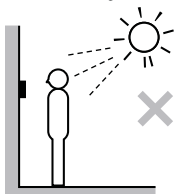
⚠ Setting operations are made by pressing buttons under the screen.

Mounting locations

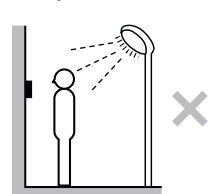
• Video door station

Do not install a video door station in any of the following locations where lighting or the ambient environment could impact the display on the video master station due to the characteristics of the door station's camera.

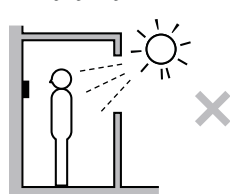
Locations subject to direct sunlight



Under street lights or door lights



Other locations subject to strong lighting conditions



• Monitor station

1. Install the master monitor station and sub monitor station in places where the screens are not exposed to direct sunlight.
2. The master monitor station and sub monitor station have switches on both sides. Allow at least 5 cm of open space on either side.
3. Allow 15 cm or more of vertical open space from the center of the mounting bracket in order to mount the master monitor station and sub monitor station.

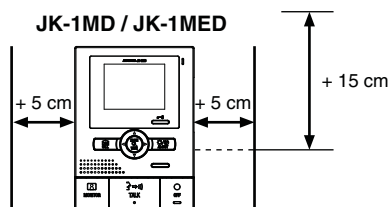
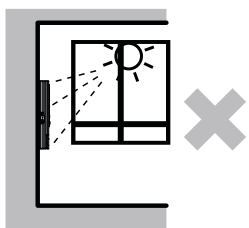
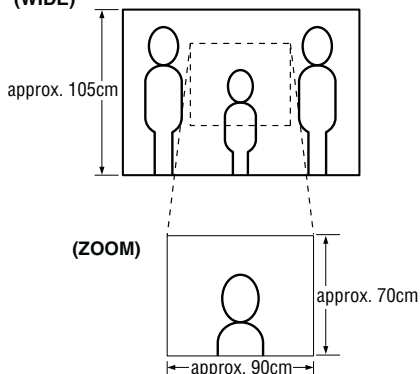


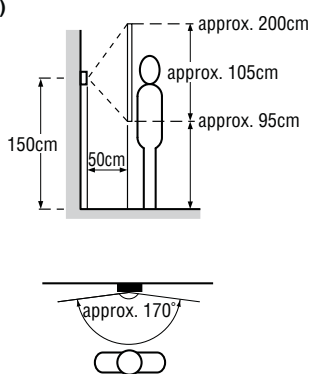
Image view area

JK-DA, JK-DV, JK-DVF

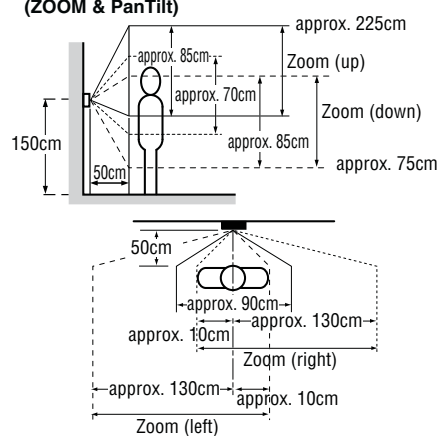
(WIDE)



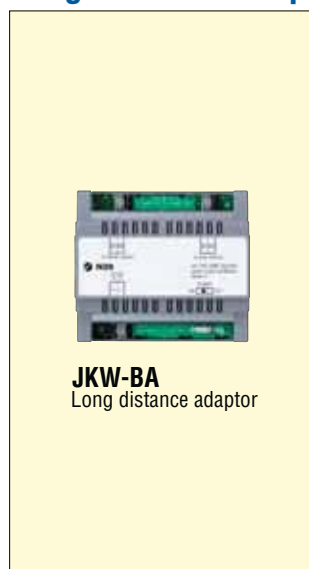
(WIDE)



(ZOOM & PanTilt)



Long distance adaptor for JK series



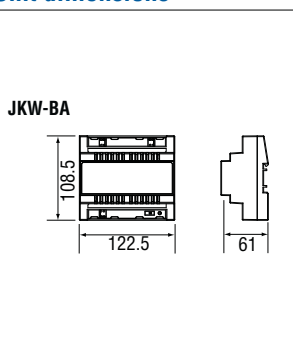
Features

- When JK series color video door station is more than 100m to max. 300m away.

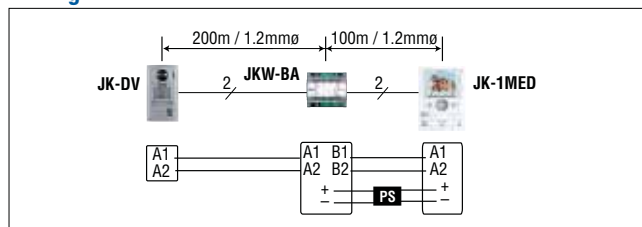
Used for

JK-1MD, JK-1MED

Unit dimensions



Wiring



Cable

1.0mmø to 1.2mmø. Vinyl jacketed, PE (polyethylene) insulation cable.

Specifications

Power source	18VDC, PS-1810DIN of system or separate
Current consumption	95mA
Wiring	2 parallel wires to ea. door & master.
Distance	JK door~JKW-BA 100m~200m(1.2mmø) JKW-BA~JK master/JK-1HD/JK-1SD 100m(1.2mmø) JKW-BA~PS 100m(1.2mmø)