

PanTilt Handsfree Color Video & Motion-sensor camera integration

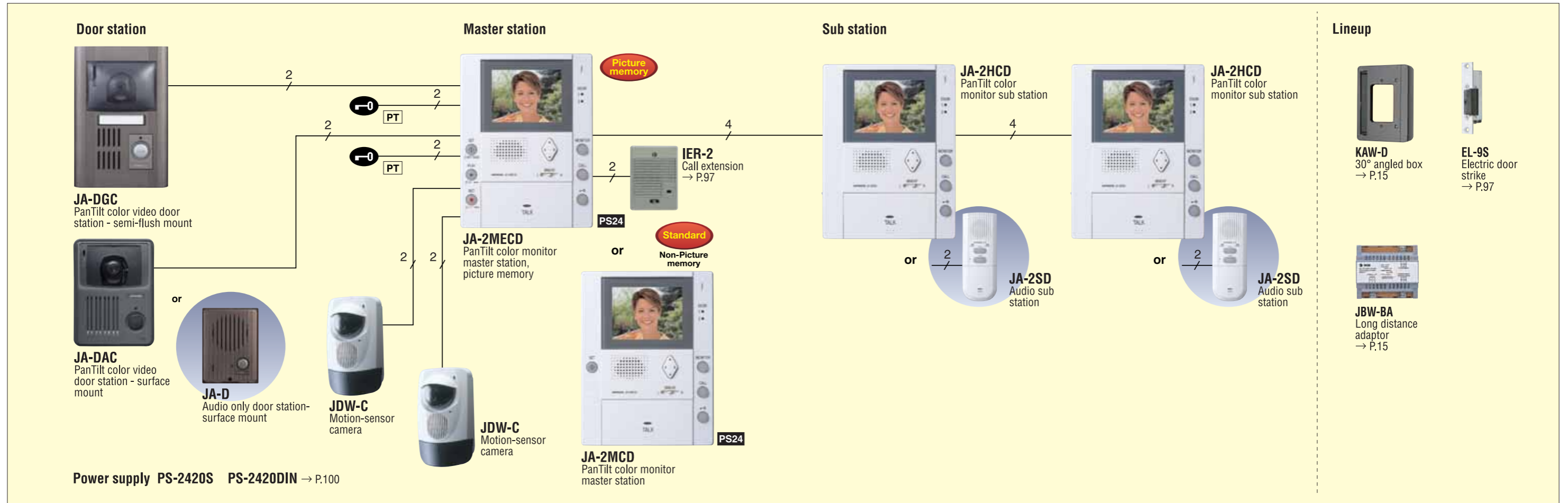
DOOR 2 ROOM 3 JA Series

Features

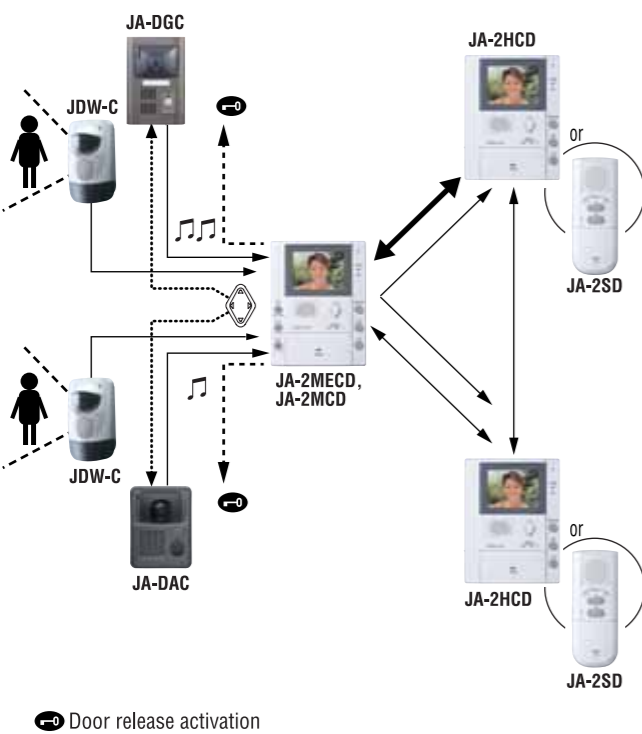
- Two color PanTilt Camera door stations, three inside monitor stations(4"LCD)
- Motion-sensor camera (max.2)
- Built-in picture memory (JA-2MECD only)
- Surveillance mode SET through sensor-cameras. Activates monitor and internal alarming (& picture save in JA-2MECD)

- Total handsfree communication, auto-voice actuation
- Instant voice call-in with image
- Press-to-talk available
- White LED illuminator turns on in low-light conditions
- All Call for internal communication
- Transfer of door station call to other inside stations
- Optional video (JA-2HCD) or audio (JA-2SD) sub stations
- Audio door station in lieu of JA video door station

- Talk LED lights in red while speaking
- Visual monitoring with audio through all cameras
- Two door release contacts for selective control
- Options:
 - Foot talk switch
 - Manual Talk switch restriction
 - RY-3DL for large door releases locally available
 - Video output to video device (NTSC)

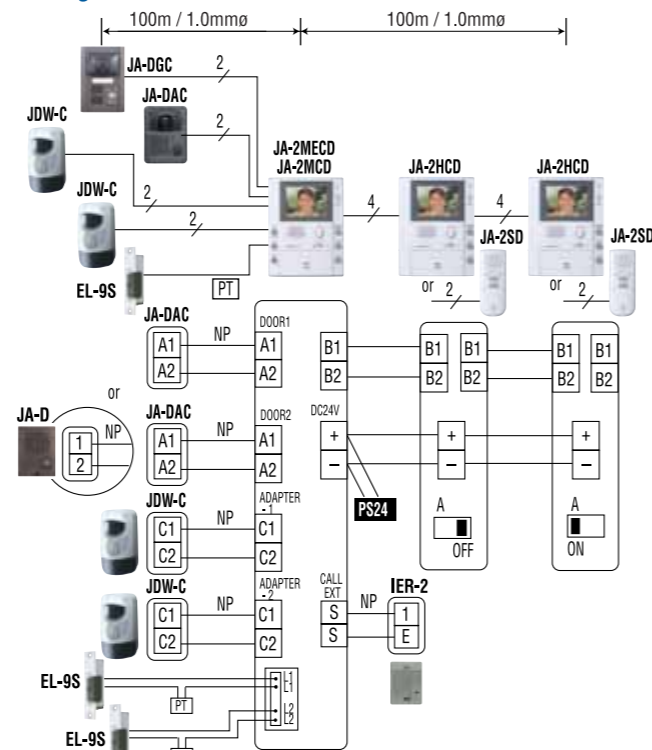


Communication network



Hands-free voice-activated communication after TALK button is pressed.

Wiring



Unit dimensions

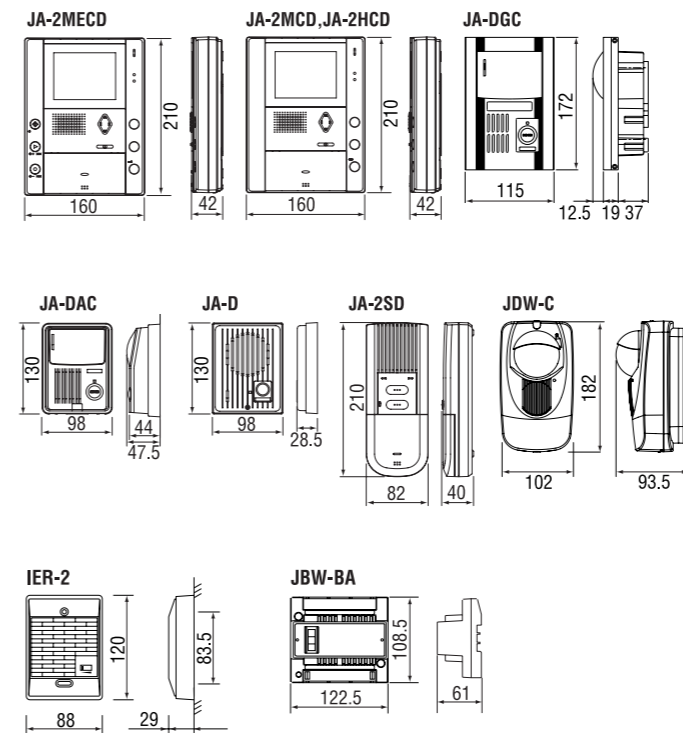
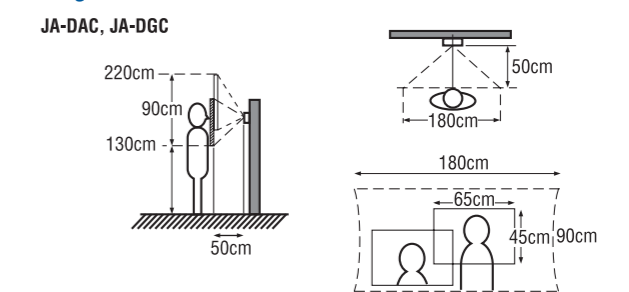


Image view area



Specifications (JA-2MECD, JA-2MCD, JA-2HCD, JA-2SD)

Power source	DC 24V
Power supply	PS-2420S, PS-2420DIN
Consumption	Max. 750mA(JA-2MECD), Max. 680mA(JA-2MCD), Max. 290mA(JA-2HCD), Max. 120mA(JA-2SD)
Calling	Chime. Image & audio, approx. 30 sec.
Communication	AUTOMATIC (Handsfree); To activate, momentarily press TALK button. MANUAL (Press-to-talk/Release-to-listen); To activate, press TALK button for 2 sec. or until talk LED turns on.
Video monitor	4" direct-view TFT color LCD.
Scanning line	525 lines
Night viewing	White LED projected up to 30cm from camera.
Door release	AC 12V, 350mA (dry closure contact L, L)
Wiring	Parallel, station to station(non-twisted, non-shielded). Vinyl-jacket, PE insulation.
Wiring distance	Master station ~ Door 50m(0.65mmø) 100m(1.0mmø) Master station ~ Motion sensor camera 50m(0.65mmø) 100m(1.0mmø) Master station ~ farthest sub 50m(0.65mmø) 100m(1.0mmø) Master station ~ IER-2 50m(0.65mmø) 100m(1.0mmø)