



Entrance station

VC-0M
Blank entrance station

VC-4M
4-call entrance station

VC-6M
6-call entrance station

VC-10M
10-call entrance station

ASS-1 & AFS-1 Stainless Steel Entrance Stations

VCH-8
8-call add-on panel

VCH-16
16-call add-on panel

Residential station

VC-K
Apartment station

Entrance call panel

VC-26MY
26-call entrance station

VC-26MT
26-call entrance station

VC-42MY
42-call entrance station

VC-58MT
58-call entrance station

VC-BBX Surface Back Box

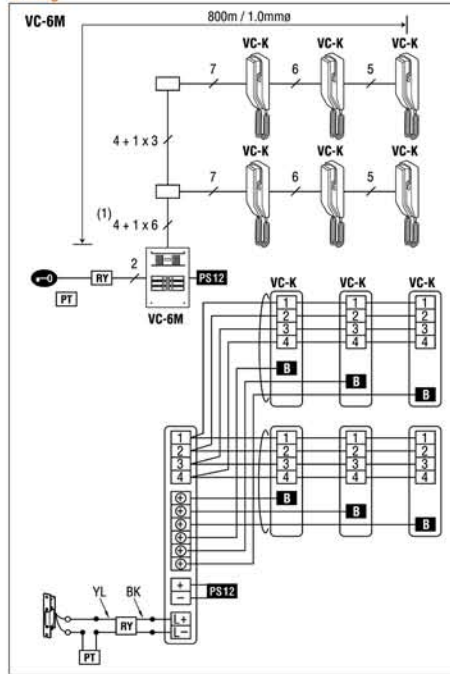
VC-AC/DC Power supply Plus Door release relay

Other Panels VC-1M, VC-2M & VC-8M

Features

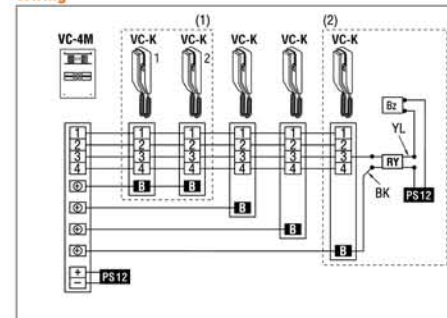
- Single entry 0 to 10-call panel
- Add-on 8 or 16 call panel(s)
- VC-K handset, one or two per residence
- Directory back illumination
- Single or larger panels up to 58 buttons

Wiring



(1) 4 common + 6 (no. of apartments) * Terminal 4 for door release
PS12 : VC-AC/DC **PT** : AC transformer **RY** : RY-PA relay
 BK: Black(2) YL: Yellow(2)

Wiring



Added variations

- (1) Two VC-K stations per apartment. Calling is not available between room stations 1 & 2.
 (2) Use a local buzzer or bell rated less than 24V DC, 2.5A.
PS12 : VC-AC/DC **RY** : RY-PA relay
 YL : Yellow(2) BK : Black(2)

Unit dimensions

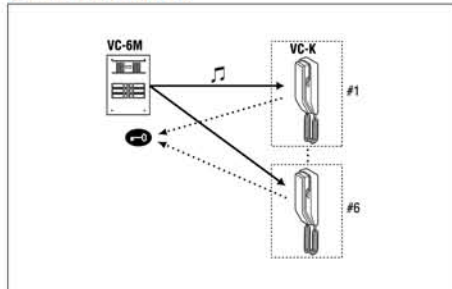
	(1)			(2)		
	H	W	D	H	W	D
VC-M, VCH	260	186	2	230	156	68
VC-26MY	260	339	2	230	309	68
VC-42MY	260	492	2	230	462	68
VC-26MT	487	186	2	457	309	68
VC-58MT	487	339	2	457	309	68
VC-BBX	-	-	-	264	190	52

Multiple box mounting: Keep a distance of 186mm between two box centers.
 (1) Front panel (2) Back box

Specifications (VC-M)

Power source	12V DC, 80mA (intercom). 100mA (lamp)
Power supply	VC-AC/DC
Communication	Electronic buzzer rings VC-K station(s). (Freq.: 600Hz. approx.) Take (either) handset to reply. Single open channel.
Wiring	4 common + no. (residences), in loop. VC-M - VC-K: 35Ω looped. VC-M - power supply: 4Ω looped.
Distance	VC-M to VC-K 330m(0.65mm) 800m(1.0mm) VC-M to PS-1215DIN 40m(0.65mm) 90m(1.0mm)

Communication network



Direct select ring